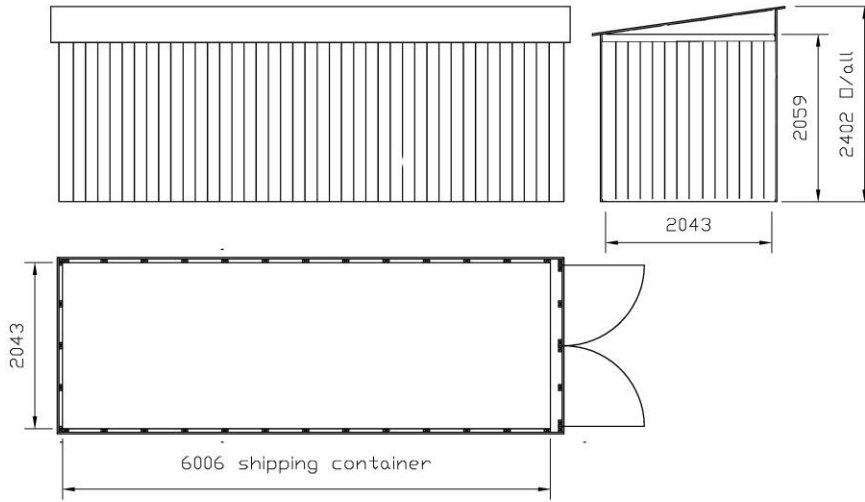


Standard 6006 x 2043 x 2059mm shipping container  
Clad in 150 x 20 s/w shiplap cladding, on 75 x 44 s/w grounds  
securely fixed to container. Sloping roof of 18mm ply  
fixed to 75 x 44 s/w grounds and covered in Mineral felt.



Scale 1:50