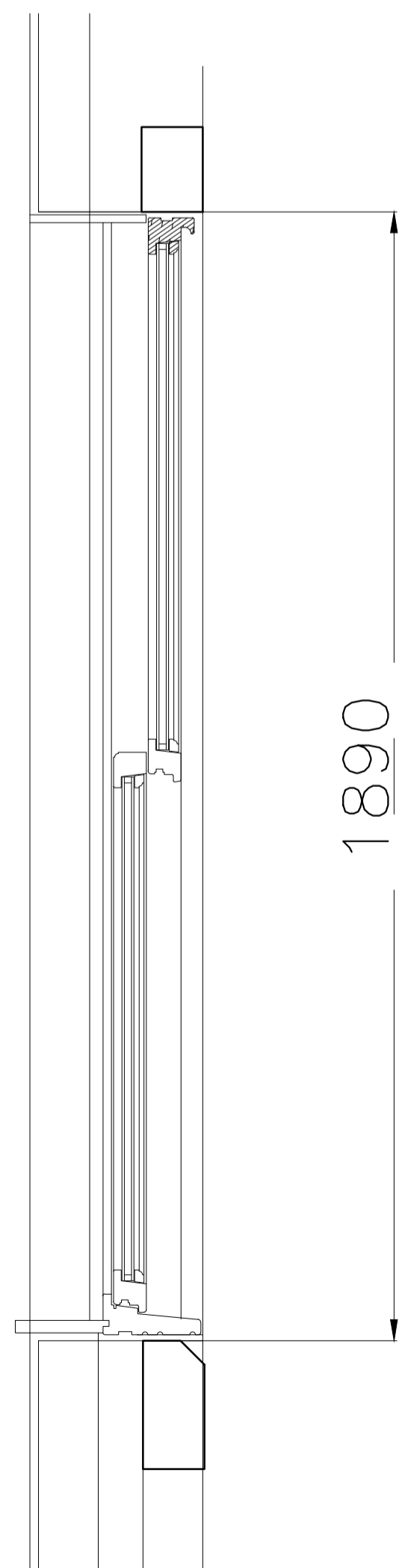
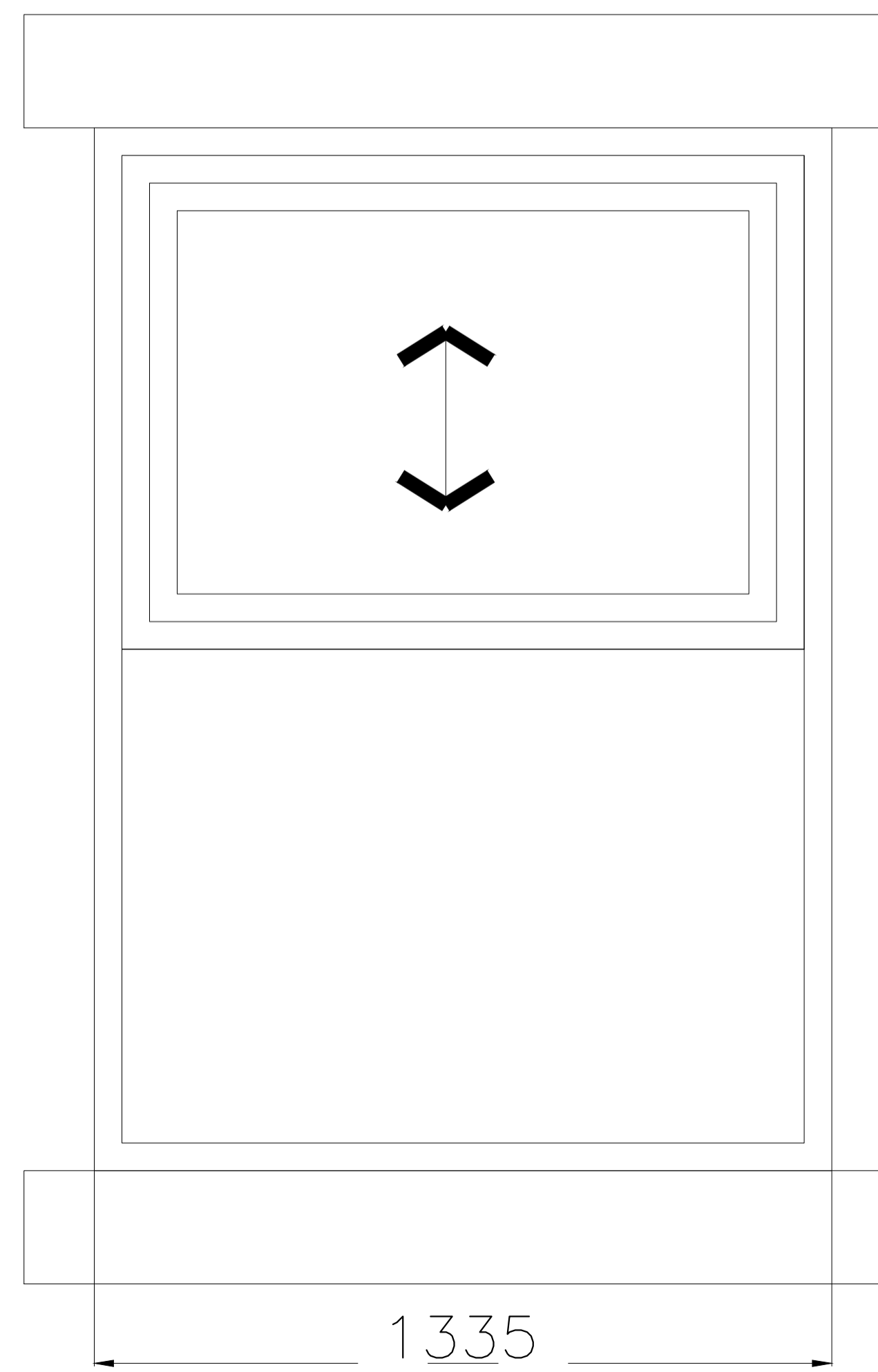




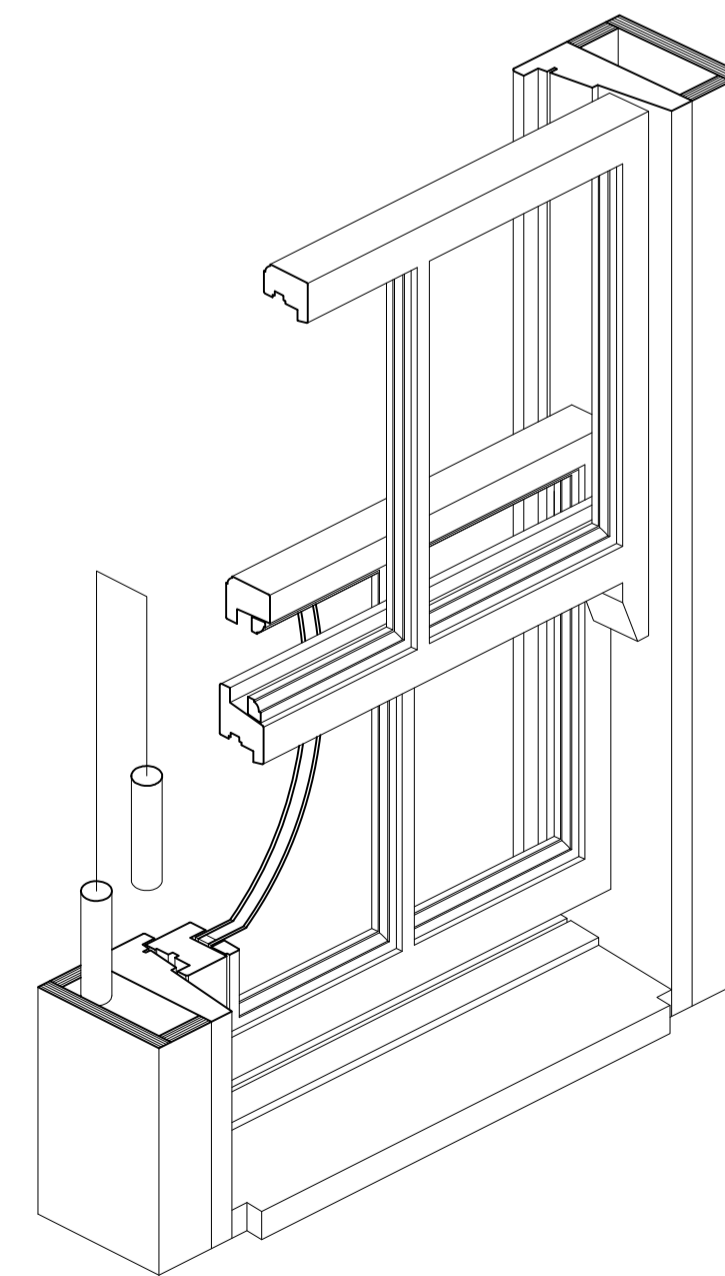
FRONT ELEVATION



SECTION



ELEVATION



ISO TYPICAL DETAIL

Typical Timber sash window by specialist manufacturer, frame set back 65mm from wall face and sealed with mastic sealant

ALL DIMENSIONS TO BE CHECKED ON SITE PRIOR TO ORDERING OR ERECTING MATERIALS DO NOT SCALE.

## Davenport and Flinn Ltd

Architects, Planning & Design Consultants

3A Hamnett Street , Hyde, SK14 2EX

Tel No. 0161-368-3064

Drawing Title

**WINDOW FENESTRATION LAYOUTS**

Project Title

**SURVEY OF 1 HELMSHORE RD**

**HASLINGDEN**

**LANCS, BB4 4BG**

REV.

DRG.NO.

6453 - 04

DATE

MAY 2022

SCALE

1:100, 20 @ A 3