

# Back Shepherd and Birch Streets

Notes  
 1) Figured dimensions to be taken. Do not scale dimensions. Contractors must verify all dimensions on site before preparing shop drawings or commencing any work.  
 2) Copyright ©. This drawing must not be reproduced without the permission of Groundwork Pennine Lancashire.



07/567

02 NOV 2007

DATE	REVISION NOTES	ISSUE	CHKD

DESIGN	PLANNING	TENDER	CONTRACT



GROUNDWORK PENNINE LANCASHIRE  
 The Globe Centre  
 St James Square  
 Accrington  
 Lancashire  
 BB5 0RE  
 Tel: 01254 306579  
 Fax: 01254 388816  
 www.groundwork.org.uk

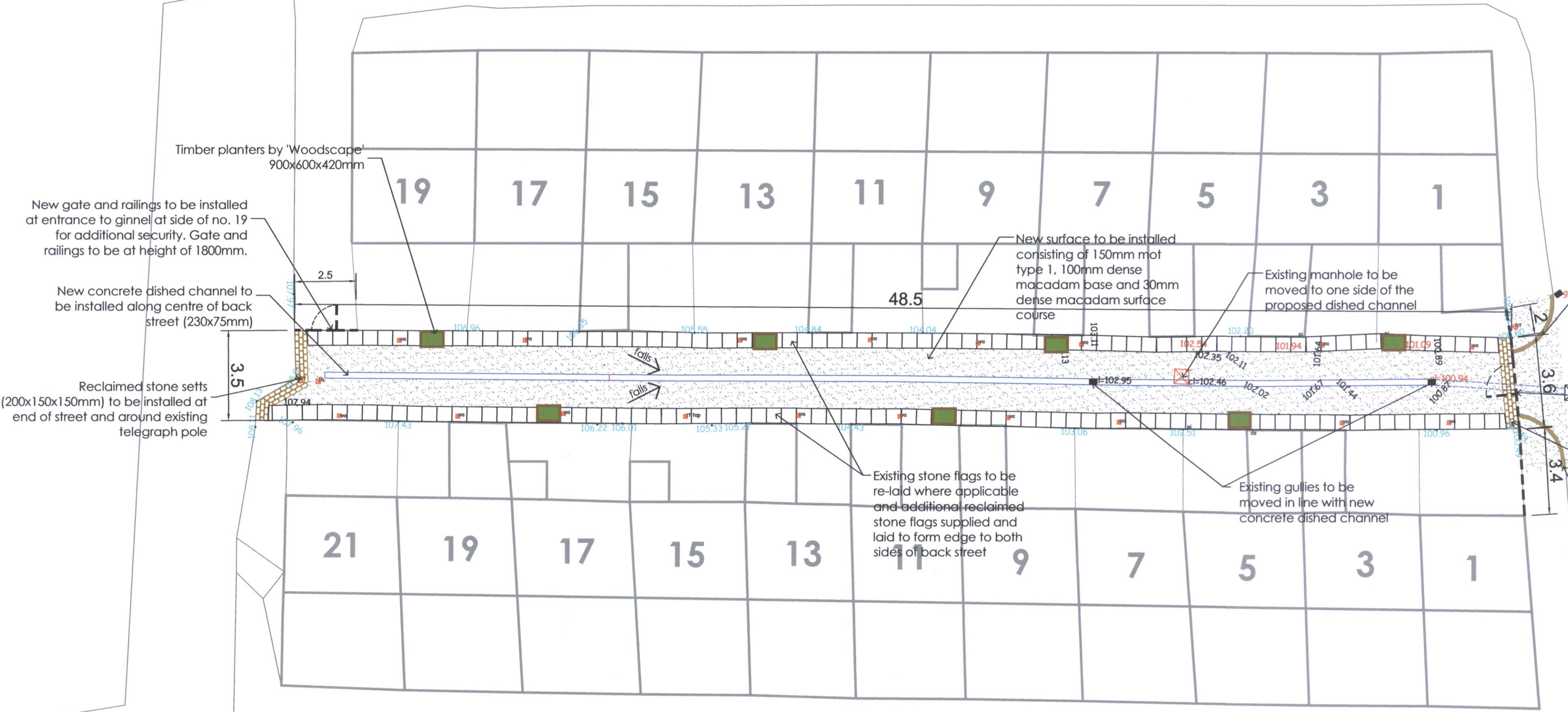
CLIENT  
 Rossendale Borough Council

PROJECT  
 ELEVATE

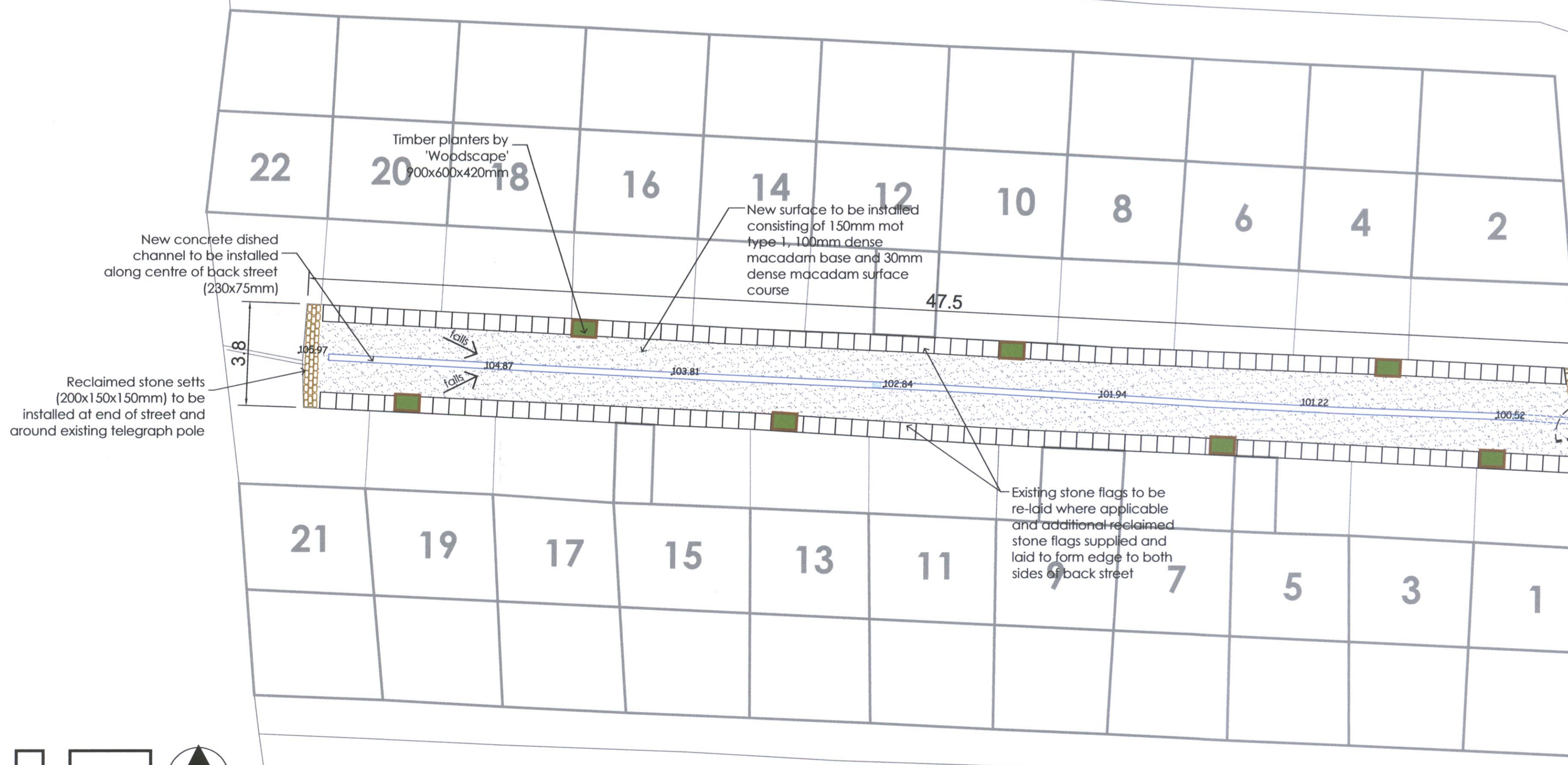
TITLE  
 Back Birch and Shepherd Street  
 Location Plan

SCALE	DATE	DRAWING NO	
1:1250	23.07.07	CR145/L01	
DRAWN BY	CHECKED BY	PROJECT CODE	ISSUE
RM/AD	AD/RM	CR145	

# Albert Terrace



# Shepherd Street



# Birch Street

# Alder Street

back birch and shepherd streets

Notes  
 1) Figured dimensions to be taken. Do not scale dimensions. Contractors must verify all dimensions on site before preparing shop drawings or commencing any work.  
 2) Copyright ©. This drawing must not be reproduced without the permission of Groundwork Pennine Lancashire.

KEY	
	Existing stop tap cover to be raised
	Existing manholes to be repositioned
	Existing manholes to be remain
	Proposed concrete dished channel
	Existing gully to be repositioned
	Proposed new gully
	Proposed new drain
	Proposed 'Woodscape' timber planter
	Proposed tarmac surfacing
	Stone flags at edges of back streets
	Proposed reclaimed stone setts
	Existing levels
	Proposed half battered concrete kerb edging
	Proposed gates and railings

2007/567

NO.	REVISION NOTES	ISSUE	CHKD
00.00.00			

DESKIN PLANNING TENDER CONTRACT

GROUNDWORK PENNINE LANCASHIRE  
 The Globe Centre  
 St James Square  
 Accrington  
 Lancashire  
 BB5 0RE  
 Tel: 01254 265163  
 Fax: 01254 366816  
 www.groundwork.org.uk

CLIENT	Rossendale Borough Council
PROJECT	ELEVATE
TITLE	Layout of Back Birch Street and Shepherd Street
SCALE	1:125
DATE	23.10.07
DRAWING NO.	CR145/L02
DRAWN BY	RM/AD
CHECKED BY	AD/RM
PROJECT CODE	CR145
ISSUE	



# ■ PLANTERS

20077667

WOODSCAPE Modular Planter systems provide a means of building planters in a range of shapes and sizes that are quick and easy to peg together on-site.

Square, rectangular, octagonal, hexagonal and triangular planters are manufactured from Naturally Very Durable Hardwood (along with the fastenings and matched-grain pellets).

Each planter component measures 140mm wide x 65mm thick, therefore the height of the planter is determined by multiples of 140mm for example:

- 2 LIFTS = 280MM OA HIGH
- 4 LIFTS = 560MM OA HIGH
- etc...etc.

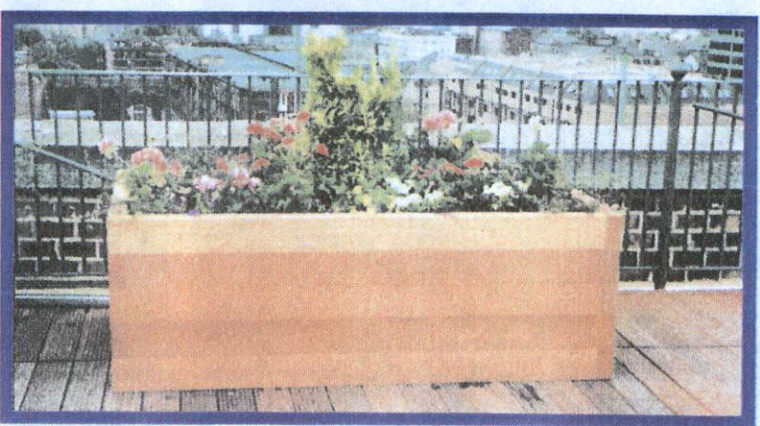
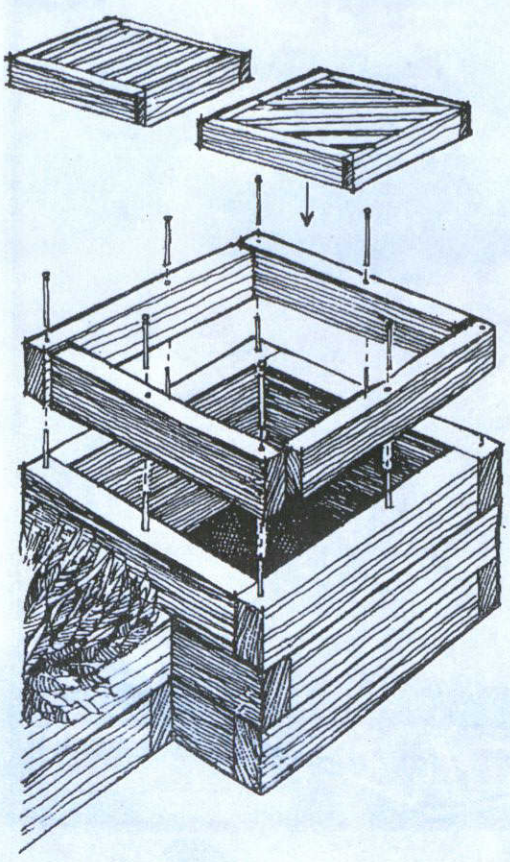
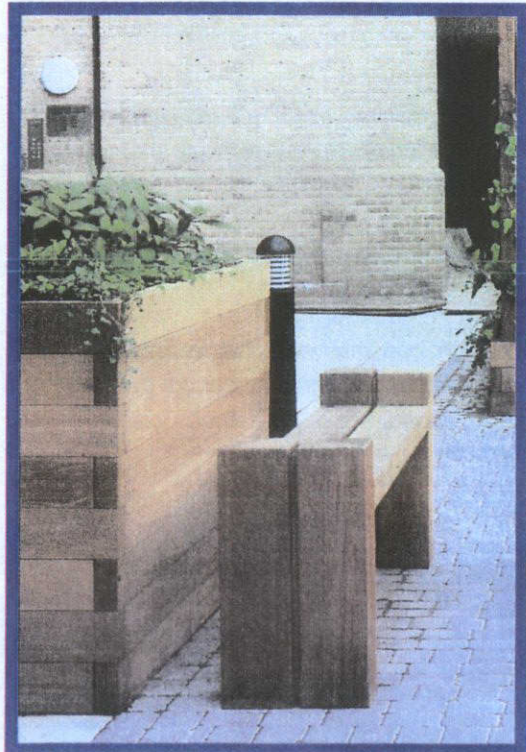
The finished planter lengths/widths are all plus 65mm, for example...

P535 component would finish 600mm Oa long

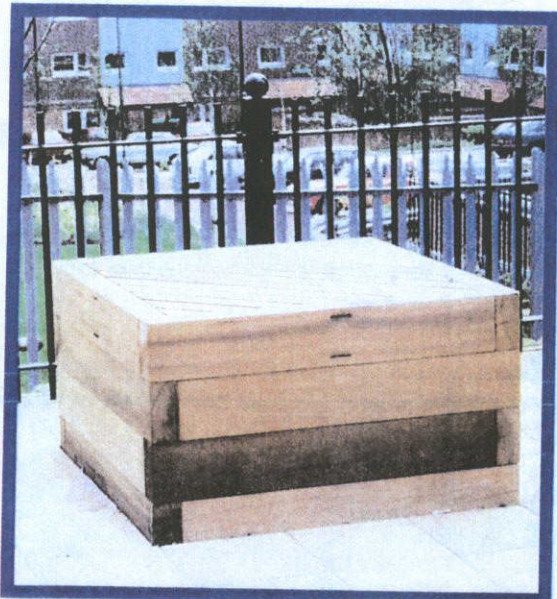
P835 component would finish 900mm Oa long

etc...etc.

Non standard sizes are available on request.



# ■ PLANTERS

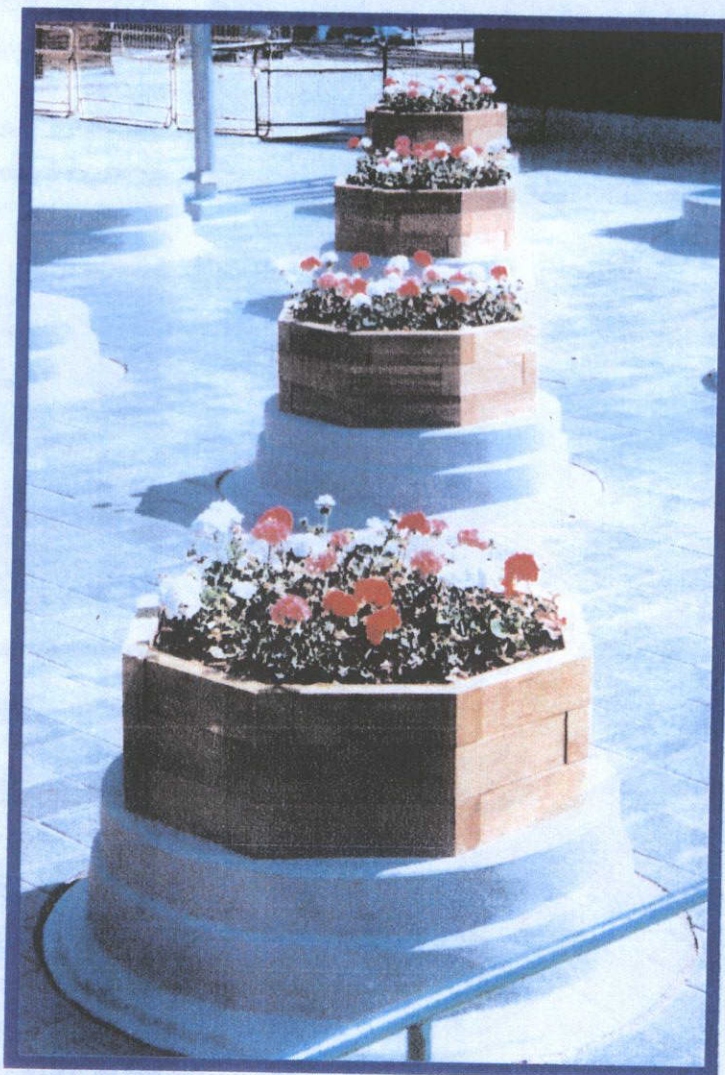
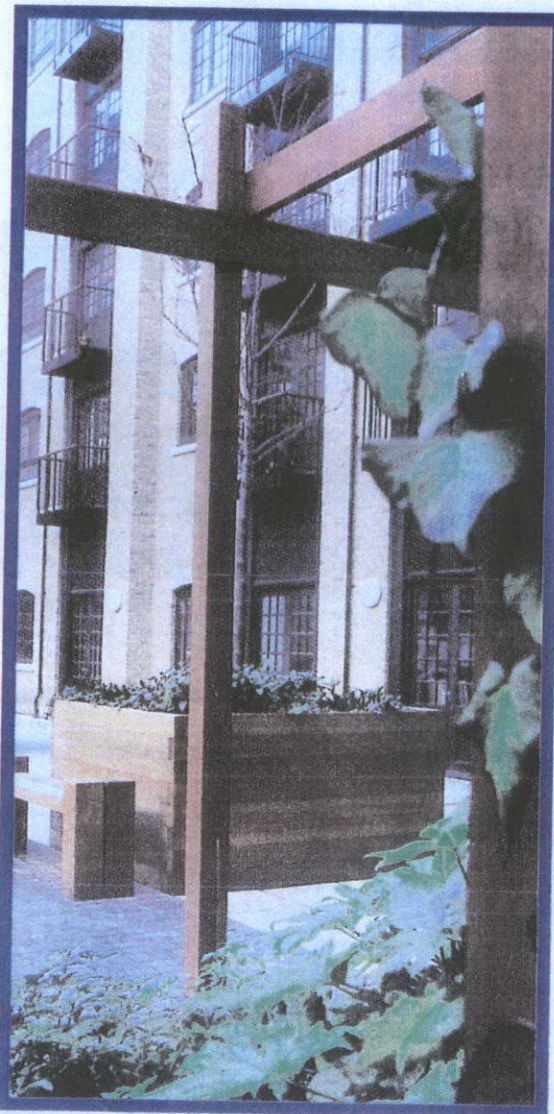


If required the planters can be lined with a geo-textile membrane (supplied by others). This will prevent the washing out of fine soil particles through joints.

All planters are available with a base, slatted seat top or linking seat option.

Additionally, WOODSCAPE can offer traditional 'Versailles' style planters with hardwood frames and either hardwood boarded panels or coloured slate panels.

Slate panels are available in a range of types and offer a tough, durable and naturally colourful alternative.





2007 / 667

02 NOV 2007



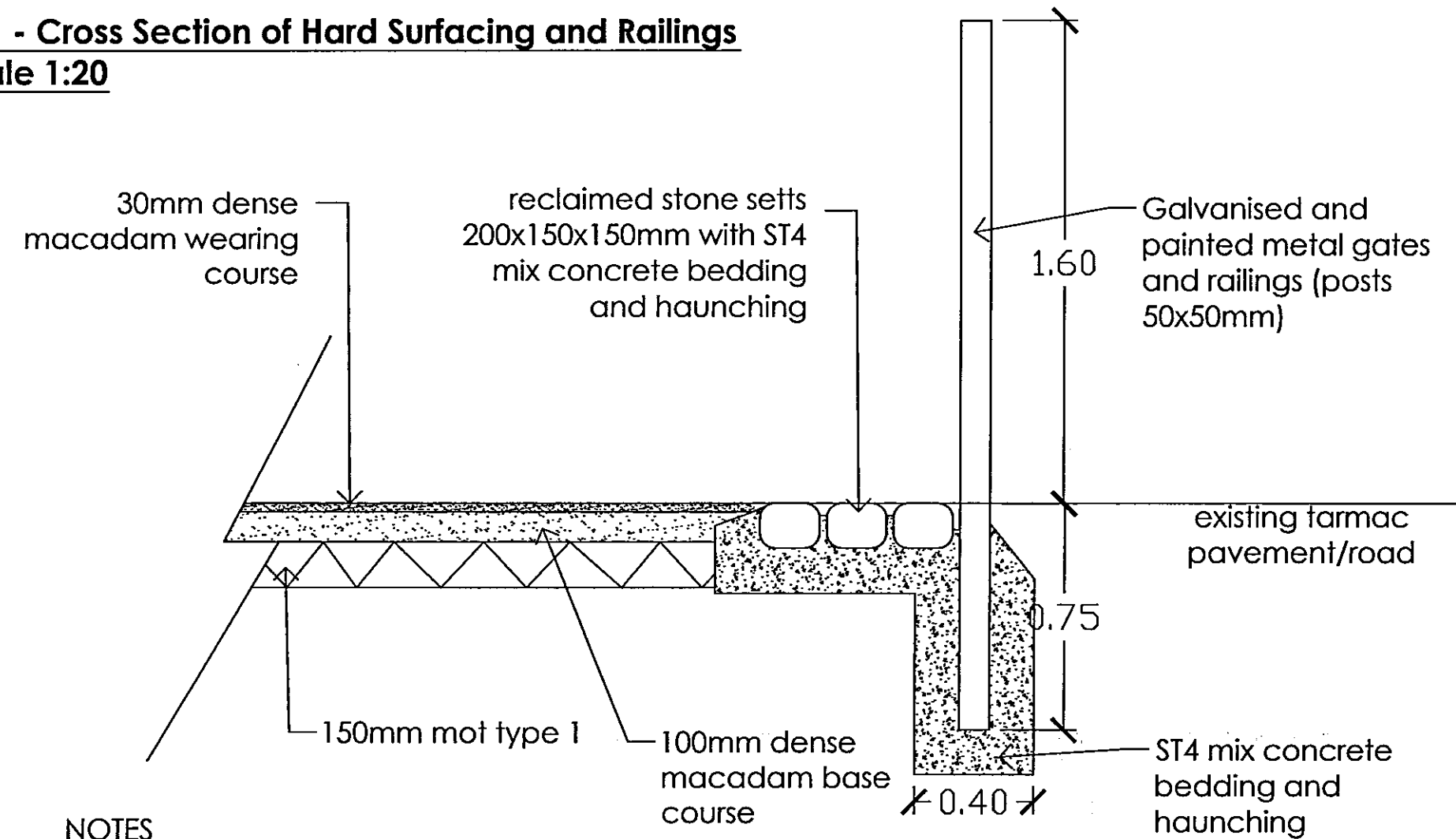


2007 / 667

02 NOV 2007

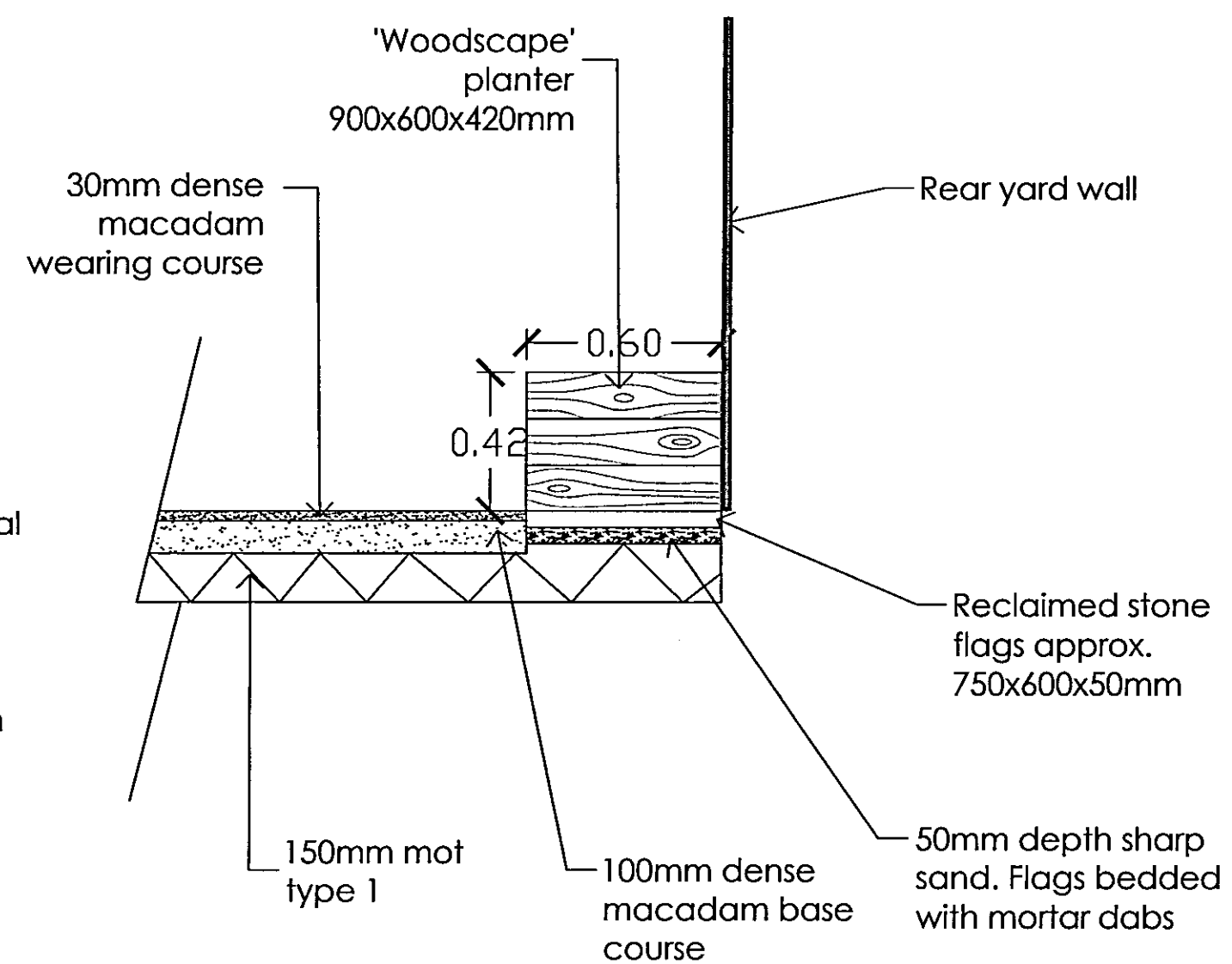


**D01 - Cross Section of Hard Surfacing and Railings**  
Scale 1:20



- NOTES**
1. Reclaimed stone sets to be laid in triple row at entrance to back streets. Sets to be bedded and haunched with ST4 mix concrete with recessed mortar joints no wider than 25mm.
  2. Ground to be scarified, levelled and prepared with 150mm mot type 1, well compacted with 100mm dense macadam base and 30mm dense macadam surface course.
  3. Falls to be away from properties towards central concrete dished channel. Maximum fall to be maximum of 3%.
  4. Gates and railings to be 1600mm high - gate 1000mm wide.
- All metalwork to be galvanised and painted black with gold highlights. Vertical bars to be 16mm diameter with posts 50mm square and 25mm gold coloured globes on top

**D02 - Cross Section of Hard Surfacing and Timber Planters**  
Scale 1:20

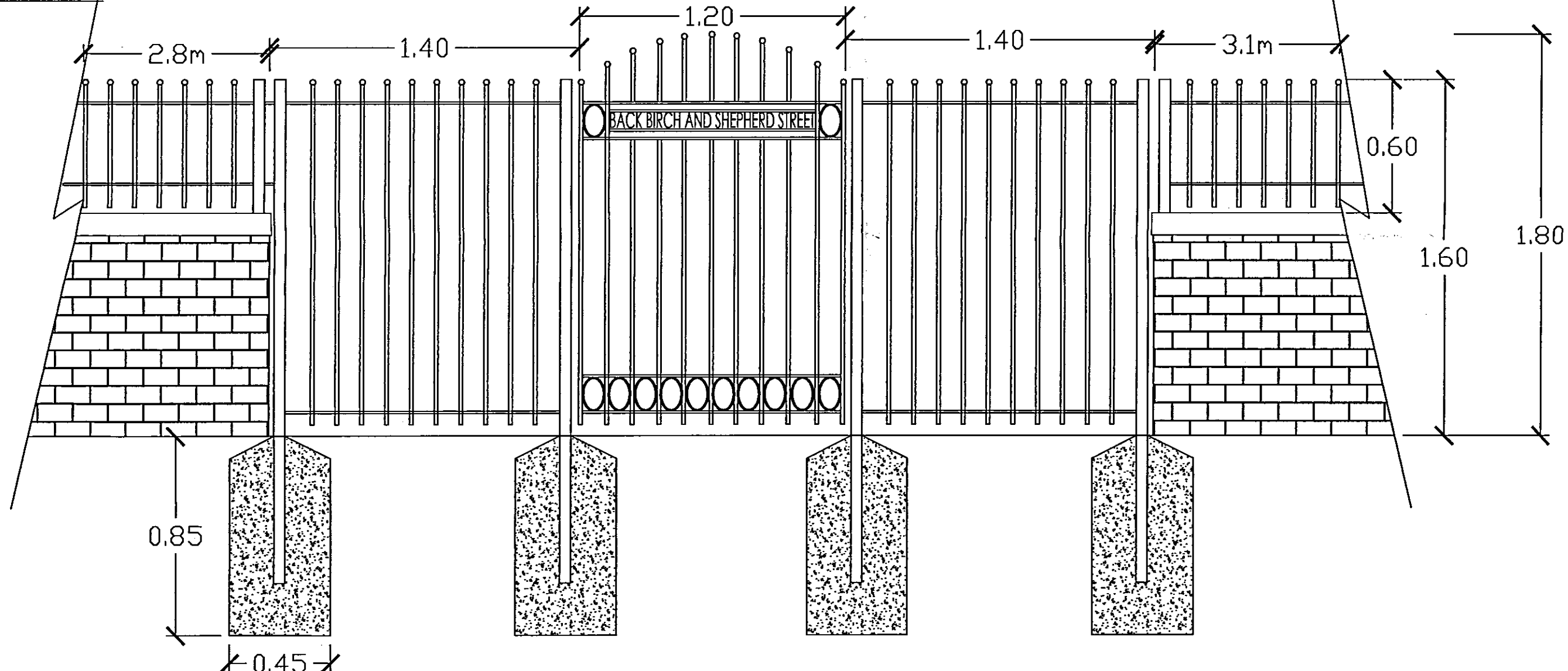


- NOTES**
1. Reclaimed stone sets to be laid in row along edge of property walls. Flags to be approx. 750x600x50mm, laid on 50mm sharp sand with mortar dabs and recessed mortar joints no wider than 25mm.
  2. Ground to be levelled and prepared with 150mm mot type 1, well compacted, 100mm dense macadam base and 30mm dense macadam surface course.
  3. Falls to be away from properties towards central concrete dished channel. Maximum fall to be maximum of 3%.
  4. Timber planters to be from 'Woodscape' or similar as approved by CA, 900x600x420mm. Planters to be attached to rear walls of yards with galvanised steel angle brackets.

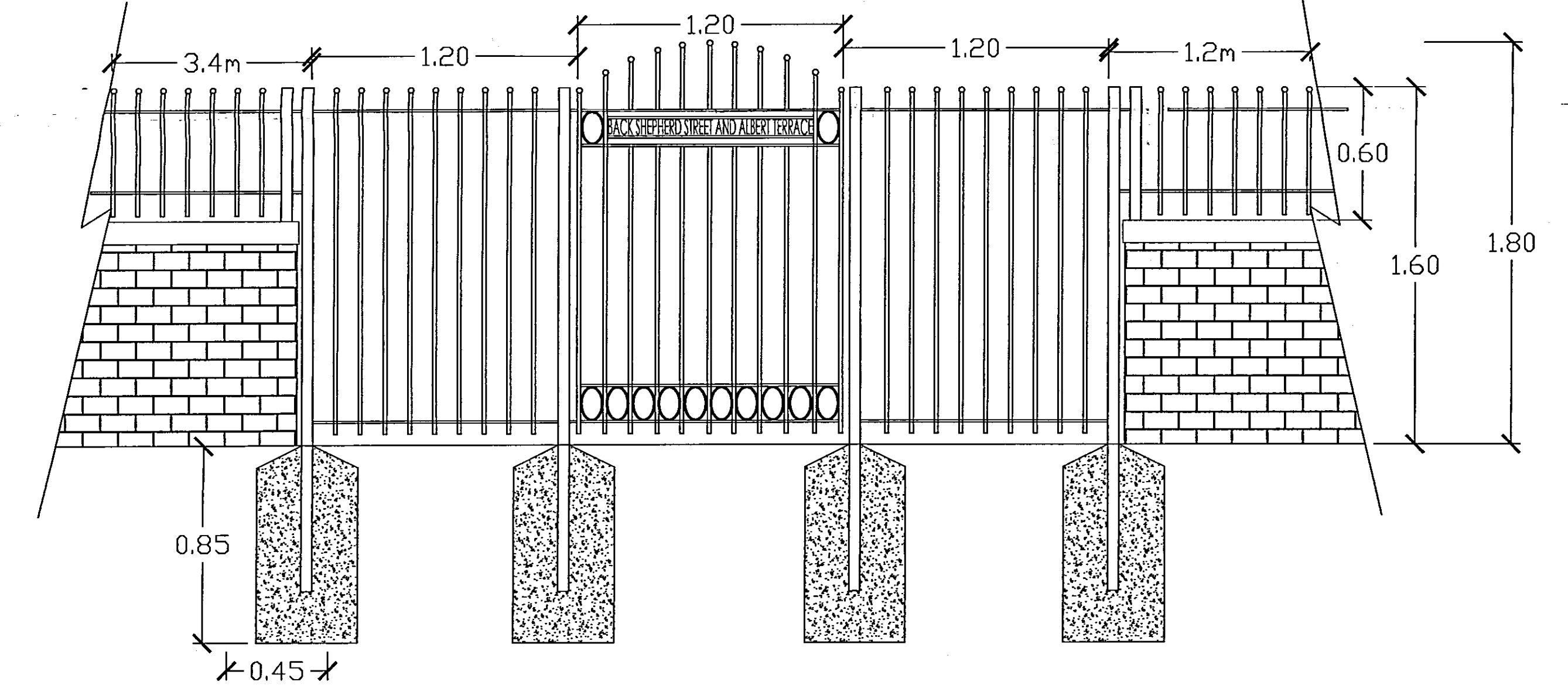
**Notes**  
1) Figured dimensions to be taken. Do not scale dimensions.  
Contractors must verify all dimensions on site before preparing shop drawings or commencing any work.  
2) Copyright ©. This drawing must not be reproduced without the permission of Groundwork Pennine Lancashire.

back birch and shepherd streets

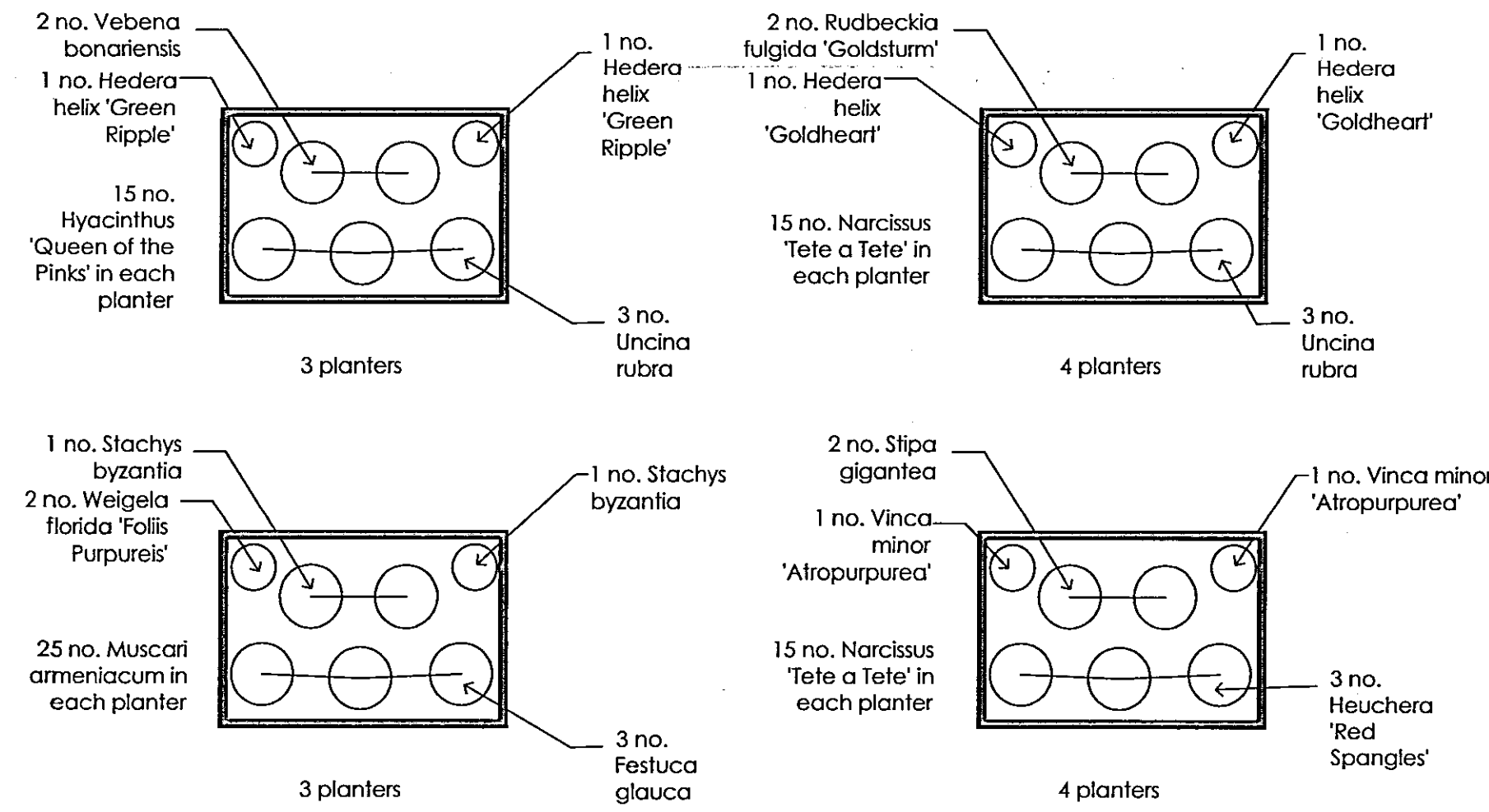
**D03 - Railings and Gates**  
Scale 1:20



- NOTES**
1. Posts to be 50x50mm, at 1600mm high with 600mm set into ST4 mix concrete.
  2. Uprights to be 16mm diameter set at 112mm centres. Globes on top to be 25mm diameter. All joints to be fully welded.
  3. Cross rails to be 40x10mm flat bars, all joints fully welded.
  4. All metalwork to be galvanised and painted with two coats of high build vinyl in black with the globes on top of the posts being gold.
  5. Gates at each back street to be single gate at 1200mm wide and 1600mm high going to 1800mm in the centre of the gates.
  6. All decoration and lettering to be galvanised steel, painted black, with no finger traps or sharp edges.



**D04 - Planting Plan**  
Scale 1:20  
(size 900x600x420mm)



00.00.00	REVISION NOTES	ISSUE	CHKD

DESIGN PLANNING TENDER CONTRACT

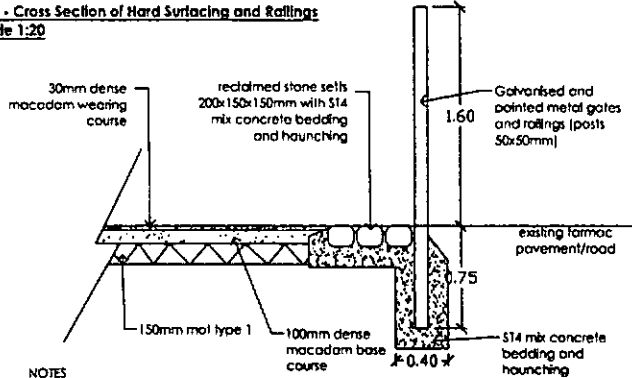
**GROUNDWORK PENNINE LANCASHIRE**  
The Globe Centre  
St James Square  
Acorington  
Lancashire  
BBS 0RE  
Tel: 01254 285163  
Fax: 01254 386816  
www.groundwork.org.uk

CLIENT	Rosendale Borough Council
PROJECT	ELEVATE
TITLE	Construction Details
SCALE	As Shown
DATE	24.10.07
DRAWING NO.	CR145/D01-4
DRAWN BY	RM/AD
CHECKED BY	AD/RM
PROJECT CODE	CR145
ISSUE	

02 NOV 2007

2007.087

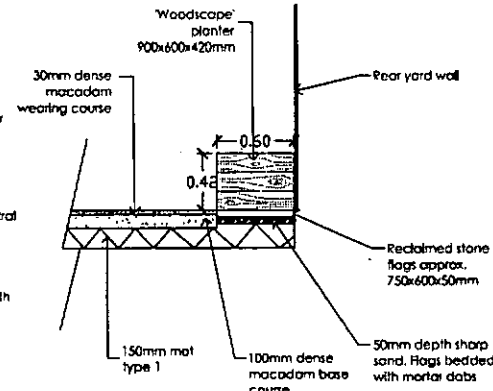
D01 - Cross Section of Hard Surfacing and Railings  
Scale 1:20



NOTES

1. Reclaimed stone setts to be laid in triple row at entrance to back streets. Setts to be bedded and haunched with S14 mix concrete with recessed mortar joints no wider than 25mm.
2. Ground to be scarified, levelled and prepared with 150mm mat type 1, well compacted with 100mm dense macadam base and 30mm dense macadam surface course.
3. Falls to be away from properties towards central concrete ditched channel. Maximum fall to be maximum of 3%.
4. Gates and railings to be 1600mm high - gate 1000mm wide. All metalwork to be galvanised and pointed black with gold highlights. Vertical bars to be 16mm diameter with posts 50mm square and 25mm gold coloured globes on top.

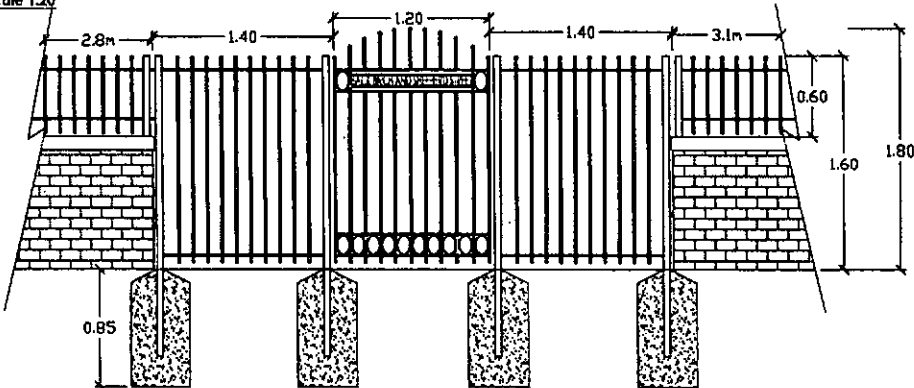
D02 - Cross Section of Hard Surfacing and Timber Planters  
Scale 1:20



NOTES

1. Reclaimed stone setts to be laid in row along edge of property walls. Flags to be approx. 750x600x50mm, laid on 50mm sharp sand with mortar dabs and recessed mortar joints no wider than 25mm.
2. Ground to be levelled and prepared with 150mm mat type 1, well compacted, 100mm dense macadam base and 30mm dense macadam surface course.
3. Falls to be away from properties towards central concrete ditched channel. Maximum fall to be maximum of 3%.
4. Timber planters to be from 'Woodscope' or similar as approved by CA. 900x600x420mm. Planters to be attached to rear walls of yards with galvanised steel angle brackets.

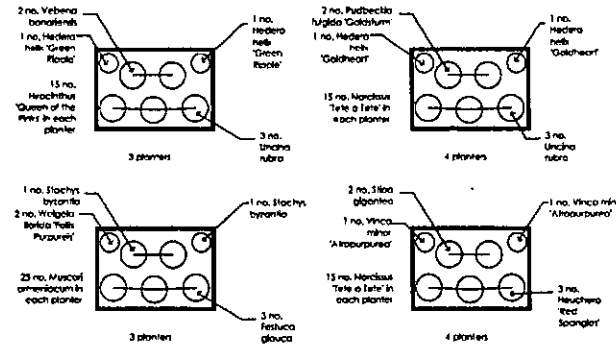
D03 - Railings and Gates  
Scale 1:20



NOTES

1. Posts to be 160mm dia. at 1000mm high with 60mm x 60mm x 6mm S14 mix concrete.
2. Verticals to be 16mm diameter at top of 1.2m sections. Globes on top to be 25mm diameter. All globes to be fully visible.
3. Cross rails to be 40mm x 40mm square, all round ends.
4. All metalwork to be galvanised and pointed black with two coats of high build paint to match with the globes on top of the gate posts.
5. Gates of each leaf shall be of single gate at 1000mm width and 1800mm high going to 1600mm in the width of the gate.
6. All dimensions and leveling to be galvanised steel, painted black, with no finger marks or other signs.

D04 - Planting Plan  
Scale 1:20



back birch and shepherd streets

2007/667

(1) Figures in brackets are given. Do not omit dimensions. Callouts must only be dimensioned on the letters providing their position as appropriate etc. etc.  
(2) Drawings to be dimensioned in millimeters unless otherwise stated.  
(3) All dimensions to be in millimeters unless otherwise stated.  
(4) All dimensions to be in millimeters unless otherwise stated.

NO.	DATE	BY	CHECKED	SCALE	DESCRIPTION

CONSULTANT  
  
 CONSULTANT  
 2007/667  
 24.10.07  
 CR145/D01-4  
 R/WAD  
 ADM  
 CR145

02 NOV 2007