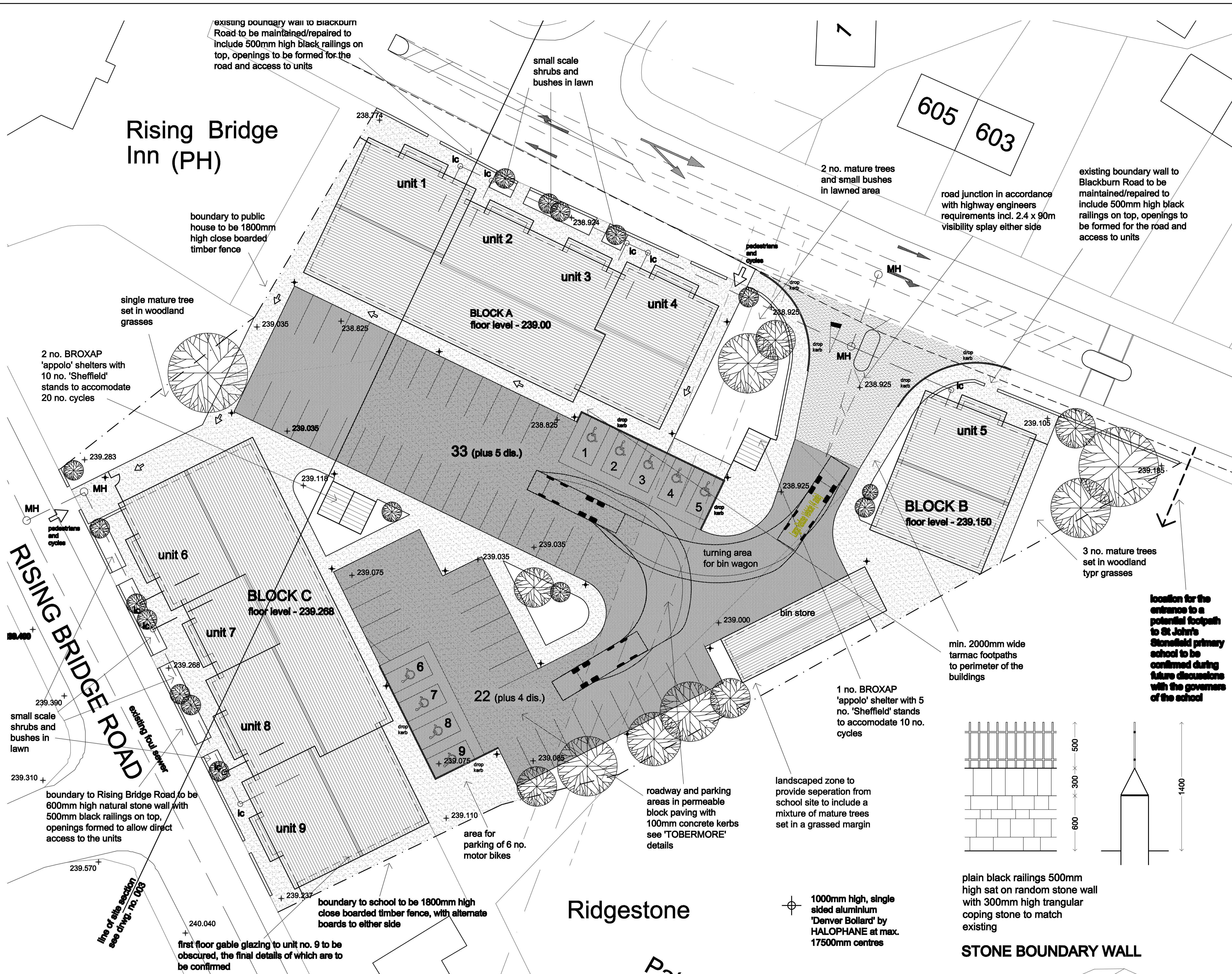


NORTH



| | | |
|---|------|------|
| potential footpath to the primary school off Blackburn Rd. added along with additional spot levels on Rising Bridge Rd. | 1100 | B |
| amended in line with discussions with planning authority | 1000 | A |
| Amendment Details | Date | Rev. |

PLANNING

Note: Dimensions are not to be scaled from this drawing. All written measurements are to be checked on site by the contractor.

Town Name: **HASLINGDEN**
 Premises Name: **RISING BRIDGE**
 Premises No.

Project: **DEVELOPMENT OF OFFICE UNITS**

Drawing Title: **PROPOSED SITE LAYOUT**

| | | | |
|--------------|---------------|-------------|-------------|
| Scale: 1:200 | Drawn by: JSH | Checked by: | Date: 08/08 |
|--------------|---------------|-------------|-------------|

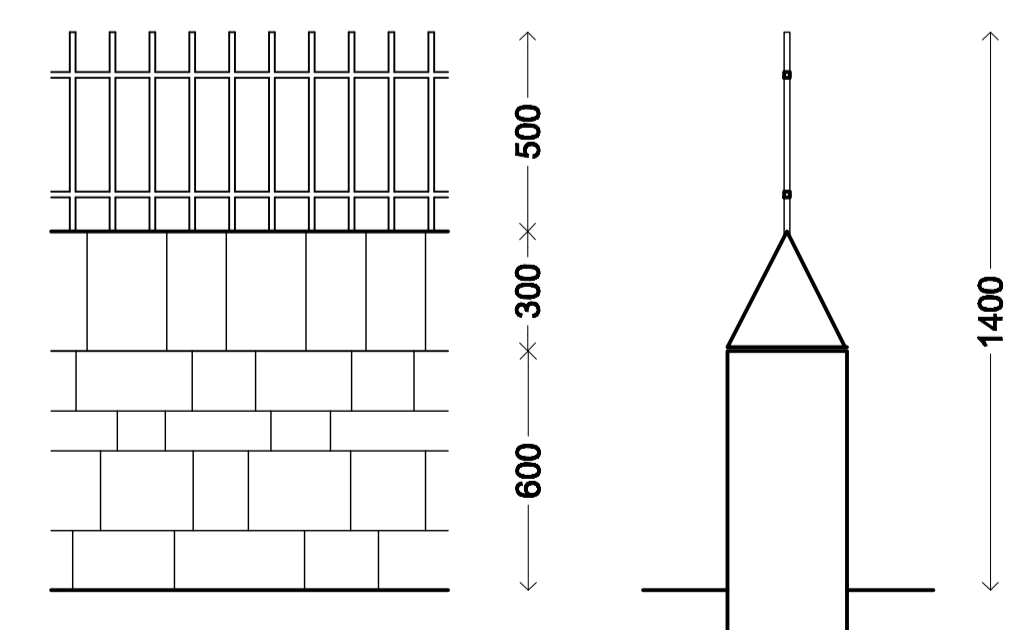


Property Group Resources Directorate

HEADQUARTERS: County Hall, Preston, PR1 6PE
 Tel: (01773) 852285 Fax: (01773) 852184
 North Area Office: Pooleton-Le-Pyche, FY10 7JH
 Tel: (01253) 852285 Fax: (01253) 852480
 East Area Office: Accrington, BB5 0PE
 Tel: (01284) 228227 Fax: (01284) 228201
 South Area Office: Leyland, PR25 1DH
 Tel: (01773) 852285 Fax: (01773) 852270
 Lancashire County Property Group M&M

Note: All rights described in Chapter IV of the Copyright, Design and Patents Act 1988 have been generally reserved.

| | | |
|----------------------|-----------------|------------|
| Project No. KZ000575 | Drawing No. 001 | Revision B |
|----------------------|-----------------|------------|



plain black railings 500mm high sat on random stone wall with 300mm high triangular coping stone to match existing

STONE BOUNDARY WALL