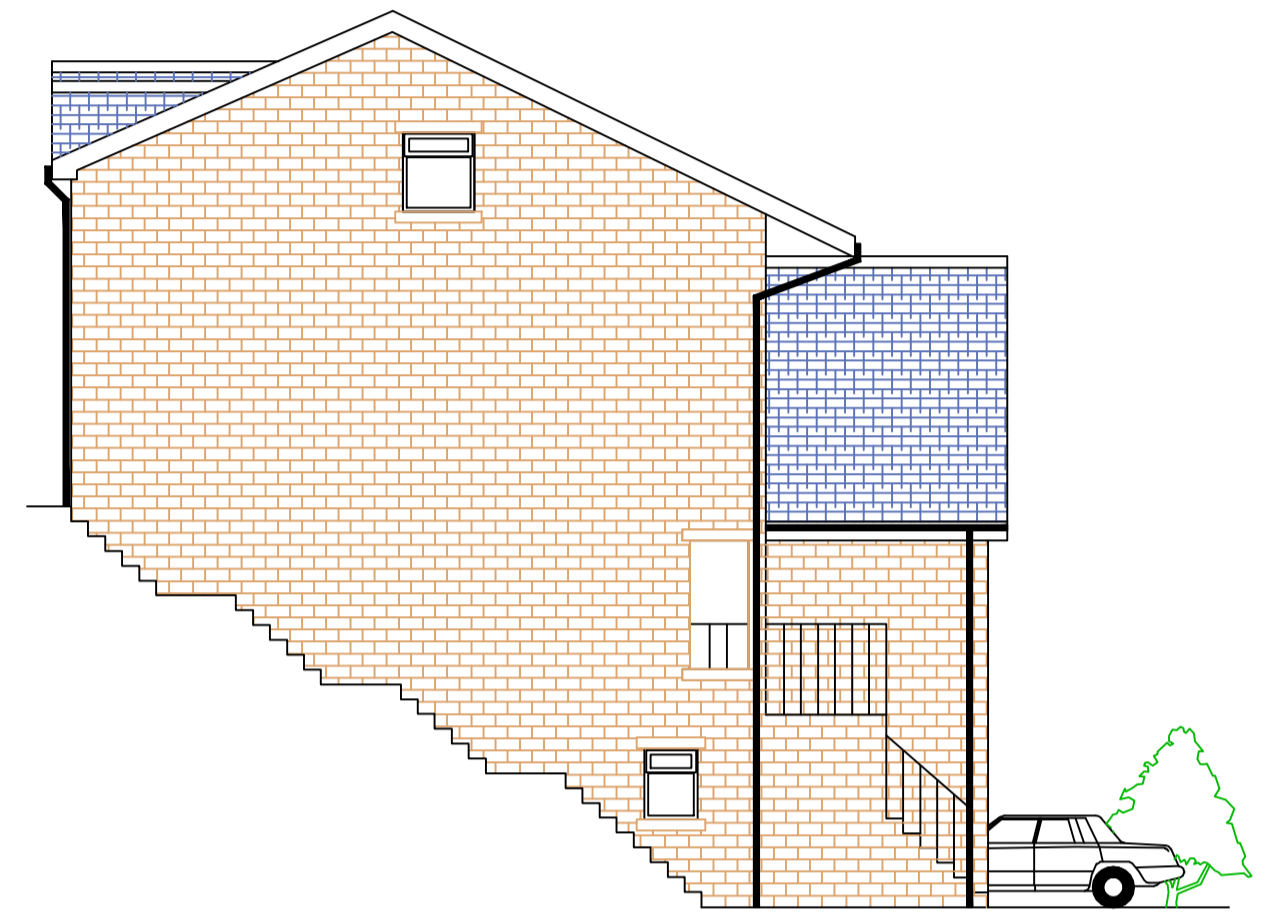


West Elevation

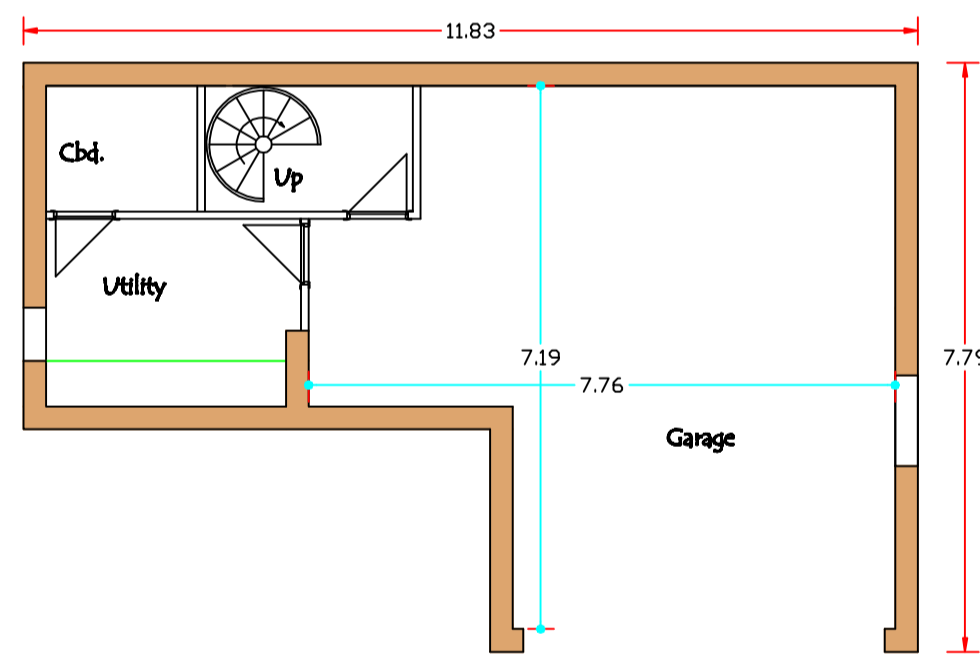
South Elevation



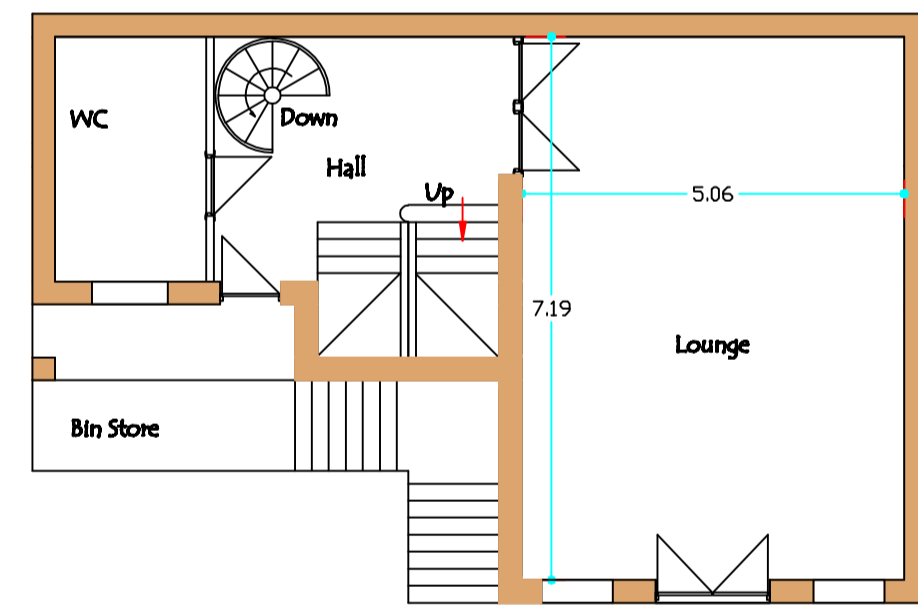
East Elevation



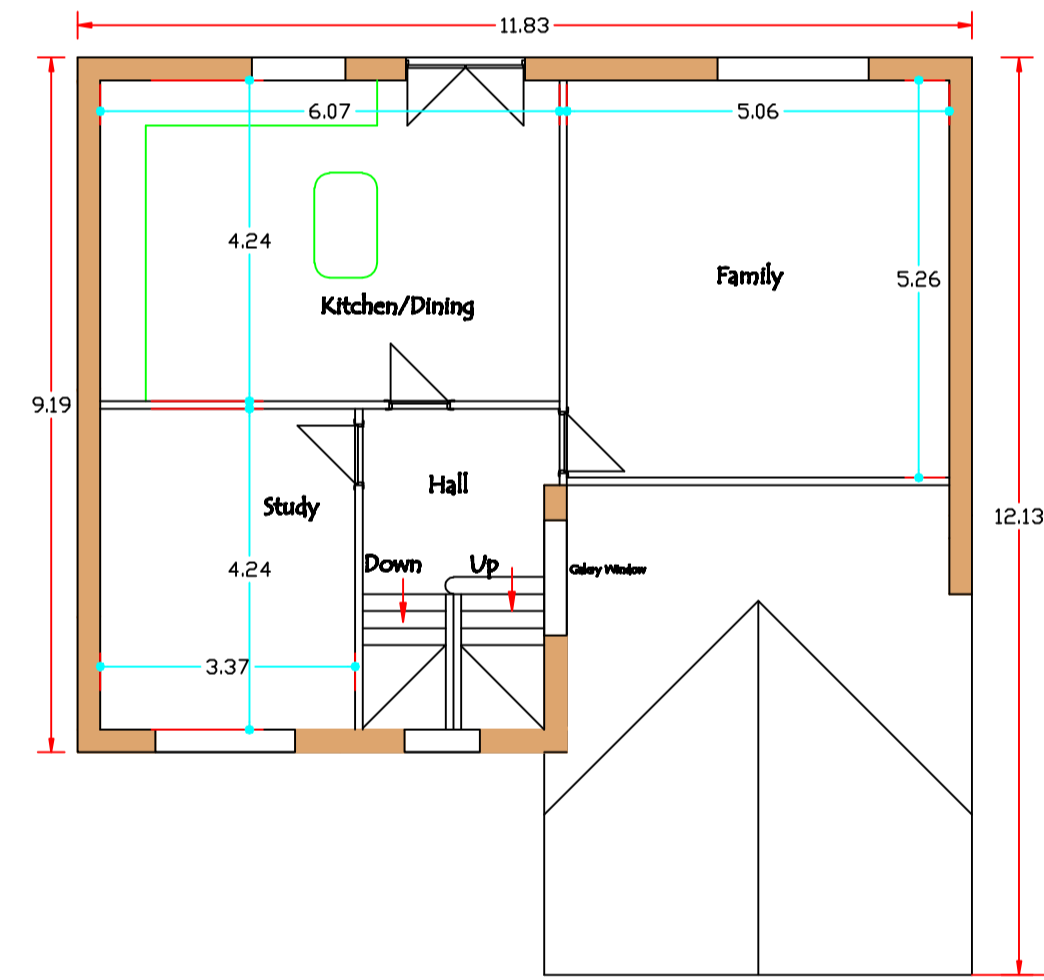
North Elevation



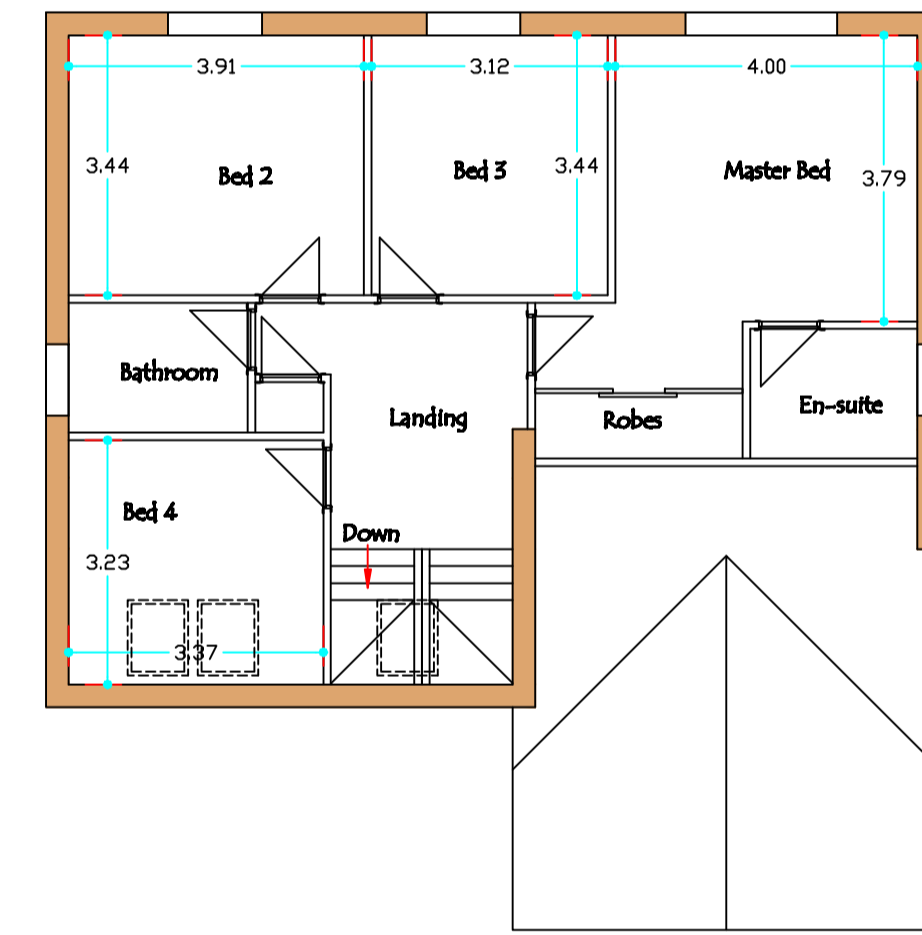
Basement Floor



Floor One



Floor Two



Floor Three

NB. The Local Planning Authority will approve
Roof tiles, external wall material, & window / door type

230sm or 2478sf

Project FOX HILL LIME TREE GROVE RAWTENSTALL	Drawing PLOTS 1 2 & 3 FLOOR PLANS & ELEVATIONS	Client JAN KORAB	Scale 1:100	
UK - DRAWING - SERVICES LTD.		Tel. 01706 826841 www.uk-drawing-services.co.uk		
a Footprint enlarged & roof design changed		Date 22/10/08	Drawing No. 04	Revision A

