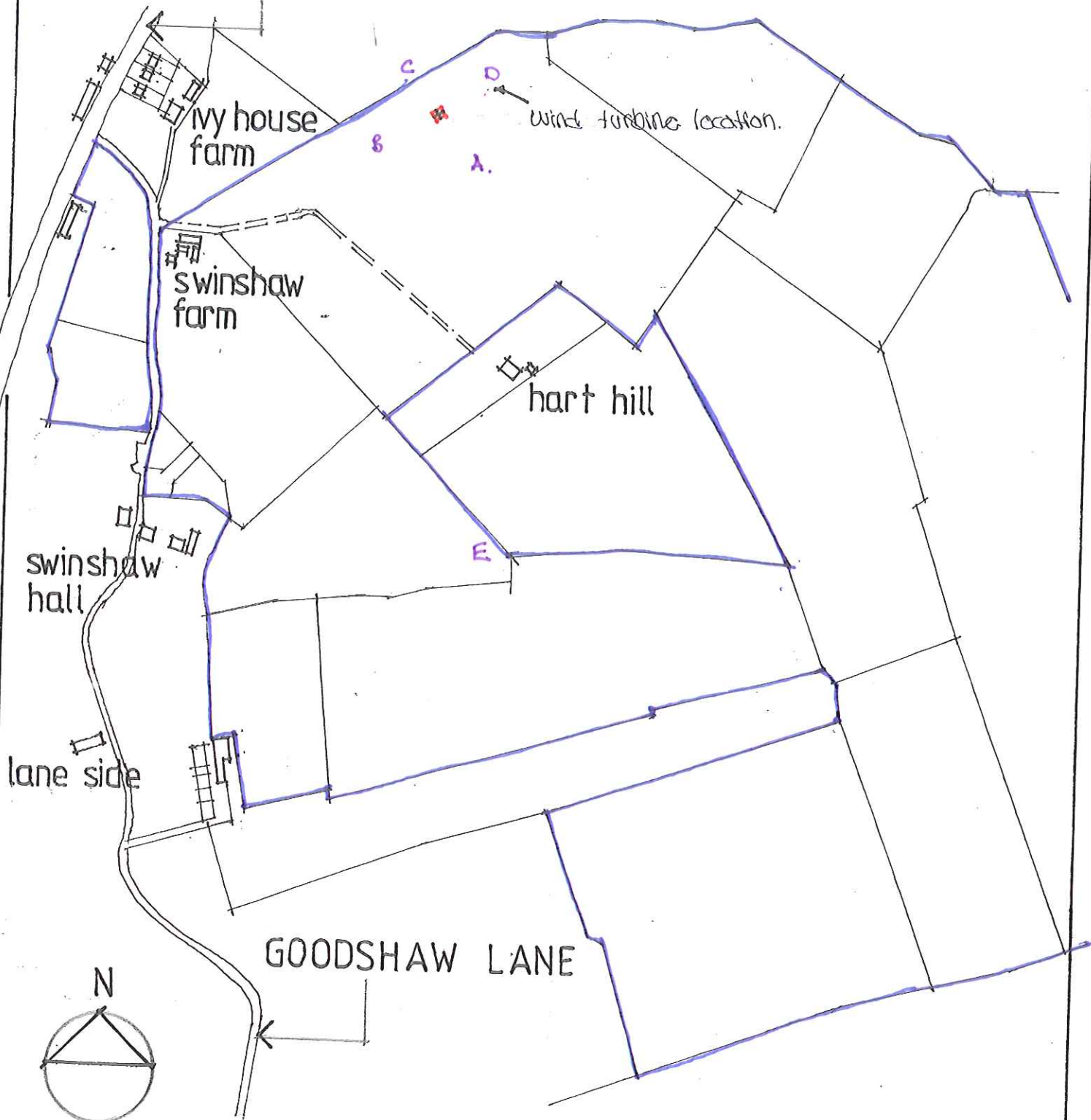


BURNLEY ROAD

DRAWING 02.



2011/455

21 SEP 2011

NEW WIND TURBINE

SWINSHAW FARM

GOODSHAW LANE

LOVECLOUGH

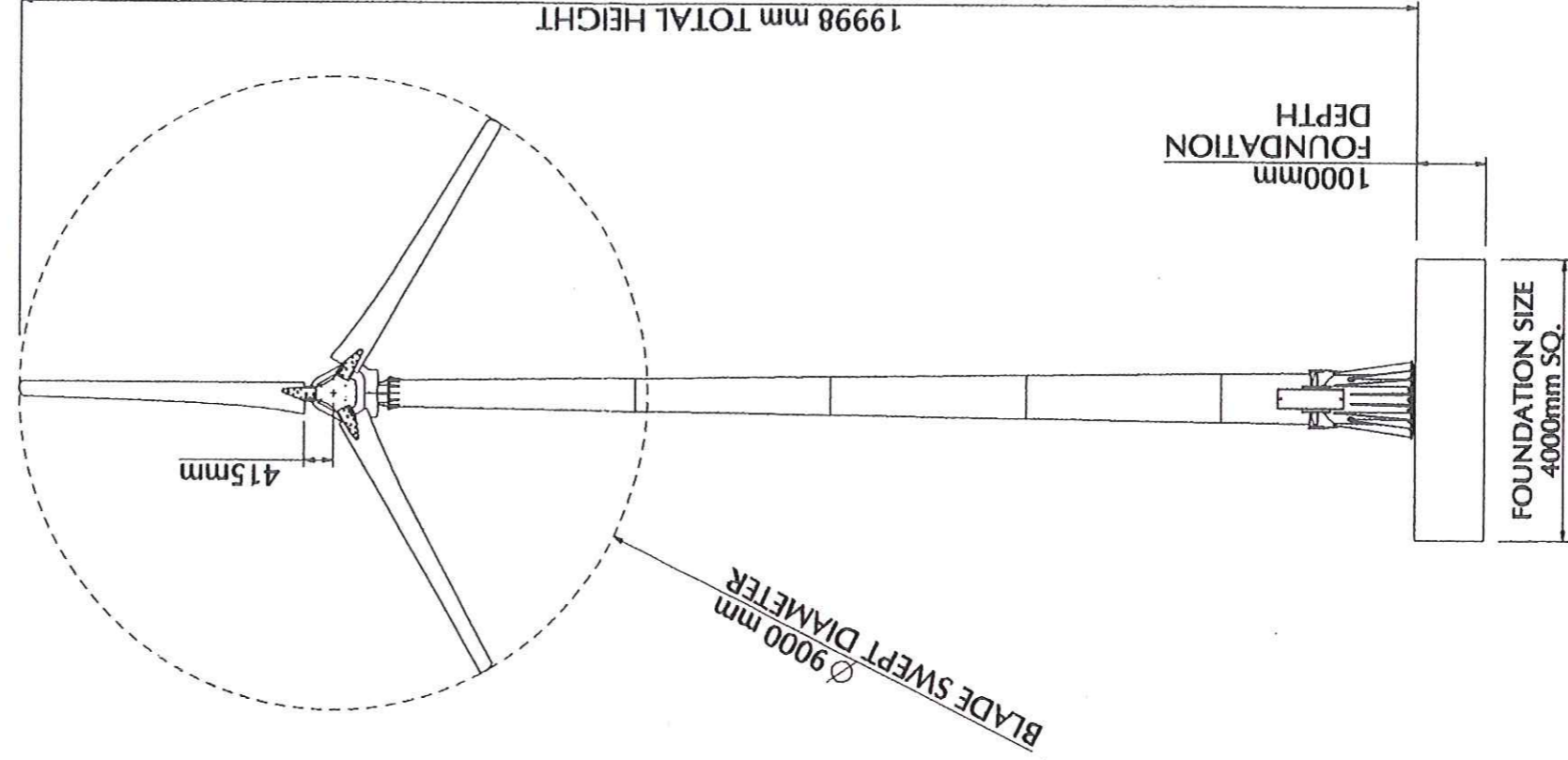
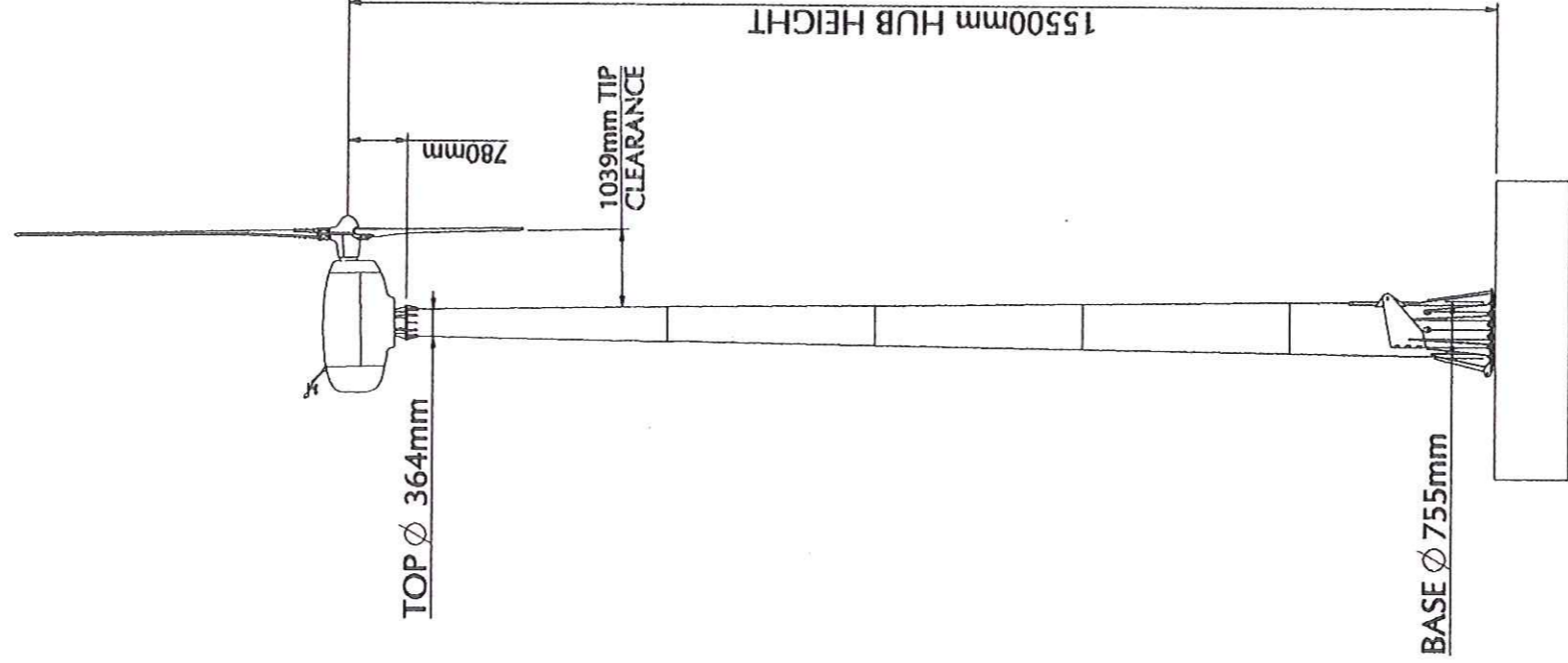
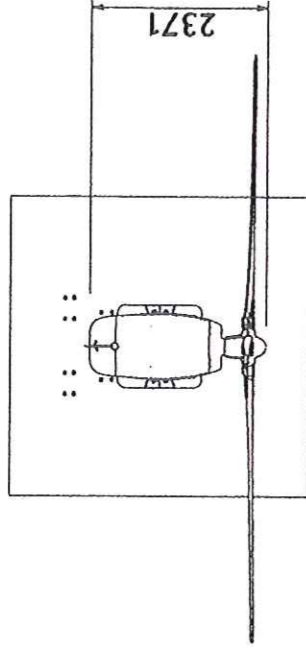
ROSSENDALE

MR KEN AINSWORTH

SCALE 1:5000

LOCATION PLAN

DRAWING 01.
 WIND TURBINE.
 SWINSHAW FARM.
 GEOSAW LANE.



2011/455

21 SEP 2011

OVERALL DIMENSIONS FOR CF11 TURBINE:
 11kW GENERATOR / 15m MAST / 9m ROTOR

C&F Green-Energy		CF11	
DESCRIPTION: OVERALLS / PLANNING		QTY PER UNIT: -	All Dimensions in mm
MATERIAL: Mast: S275 Galv	SCALE: 1:100	DWG SIZE: A3	
DRAWN: C O'Neill	PAINT: -	ISSUED FOR CONSTRUCTION TO THE FULL SCOPE OF THE STANDARD	
CHECKED: -	FINISH: -	DATE: 15-Feb-11	
DATE: 15-Feb-11		SHEET: 1 OF 1	