





Turbine Location	
Turbine 1	387946, 425008
Turbine 2	387846, 425014
Turbine 3	387751, 424983
Turbine 4	387651, 424983

KEY	
Turbine Position (11m x 11m)	
Existing Access Route	
Crane pad (15m x 15m)	
Blade Diameter	
Control cabin (2.5m x 2.5m x 3m)	

A2	Scale adjusted	RA	22/09/2011	CM	22/09/2011
A1	Initial Release	RA	27/06/2011	CM	27/06/2011
REV	MODIFICATIONS	DRAWN	DATE	CHKD	DATE



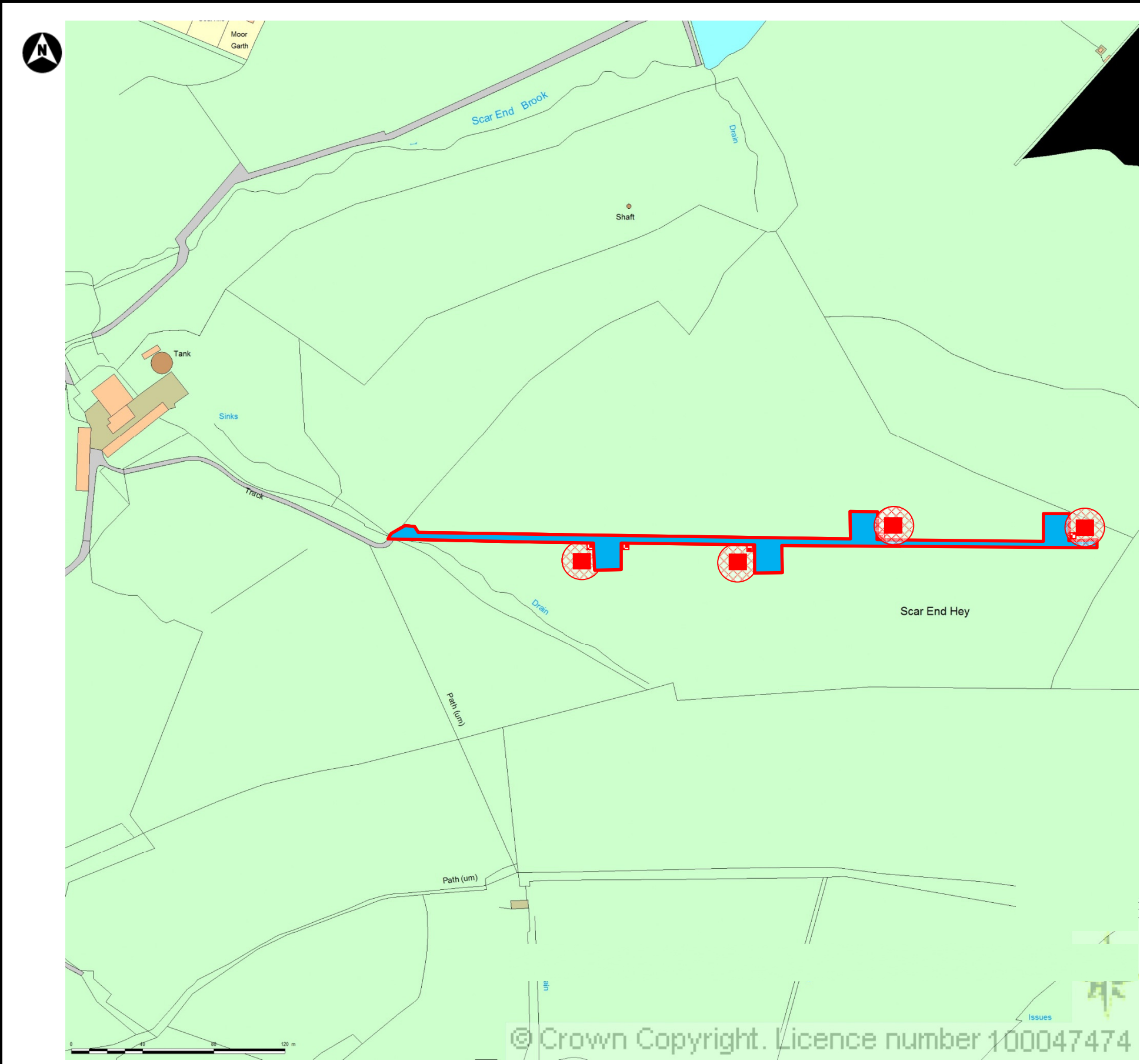
TGC (Europe) Ltd, Kings House, 13 – 14 Orchard Street, Bristol
 BS1 5EH
 Tel: 0800 0787 243
 Web: www.the-green-company.com

TGC (Europe) Ltd Copyright. This drawing and the information it contains are the property of TGC (Europe) Ltd. It is not to be copied, reproduced or divulged to a third party without permission.

Mapping reproduced from Ordnance Survey maps with the permission of H.M. Stationery Office. Crown Copyright. Map License No: 100050119

ORIGINAL PAPER SIZE	A2	SCALE	1:1250
PROJECT	Scar End, Lancashire, OL13 8QX		

Crown Copyright, Licence number 100047474



Turbine Location	
Turbine 1	387946, 425008
Turbine 2	387846, 425014
Turbine 3	387751, 424983
Turbine 4	387651, 424983

KEY	
Turbine Position (11m x 11m)	
Access Route (3m wide)	
Crane pad (15m x 15m)	
Blade Diameter	
Control cabin (2.5m x 2.5m x 3m)	

A2	Scale adjusted	RA	22/09/2011	CM	22/09/2011
A1	Initial Release	RA	27/06/2011	CM	27/06/2011
REV	MODIFICATIONS	DRAWN	DATE	CHKD	DATE



TGC (Europe) Ltd, Kings House, 13 – 14 Orchard Street, Bristol
 BS1 5EH
 Tel: 0800 0787 243
 Web: www.the-green-company.com

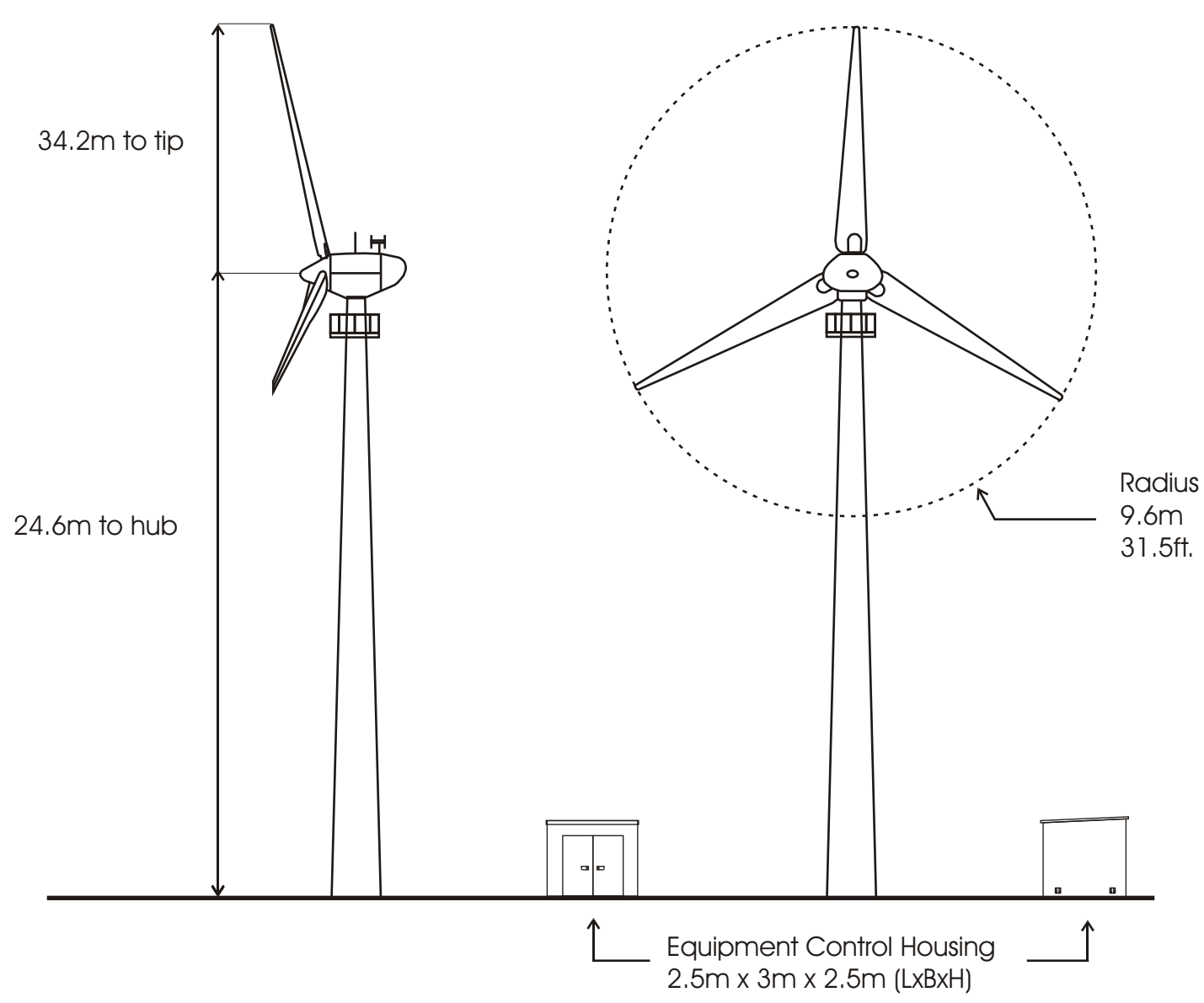
TGC (Europe) Ltd Copyright. This drawing and the information it contains are the property of TGC (Europe) Ltd. It is not to be copied, reproduced or divulged to a third party without permission.

Mapping reproduced from Ordnance Survey maps with the permission of H.M. Stationery Office. Crown Copyright. Map License No: 100050119


ORIGINAL PAPER SIZE	A2	SCALE	1:1250
PROJECT	Scar End, Lancashire, OL13 8QX		

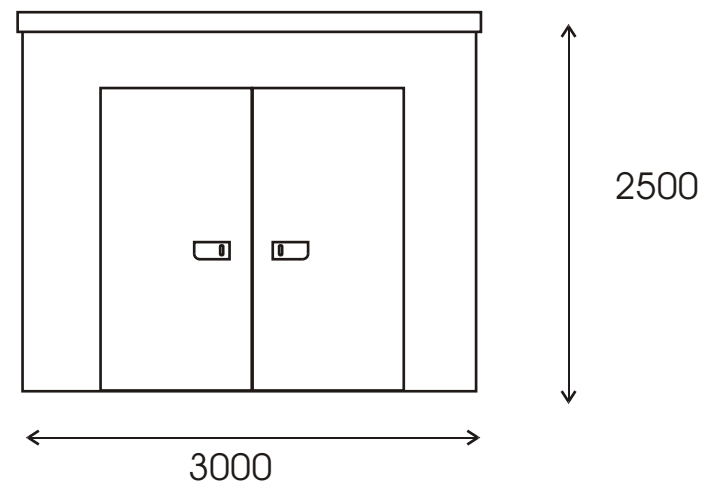
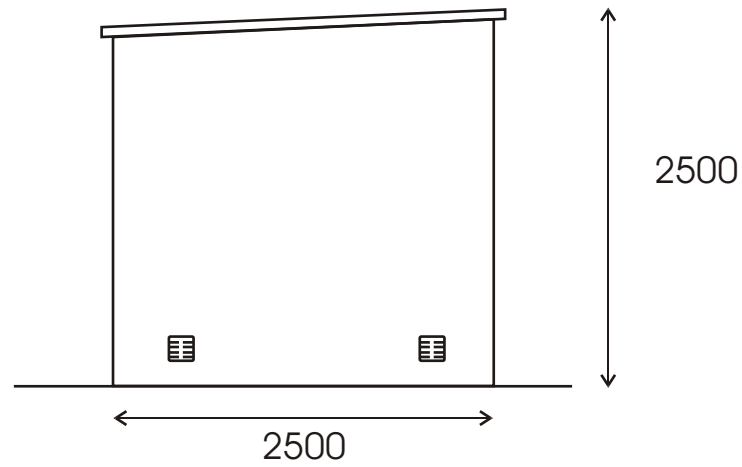
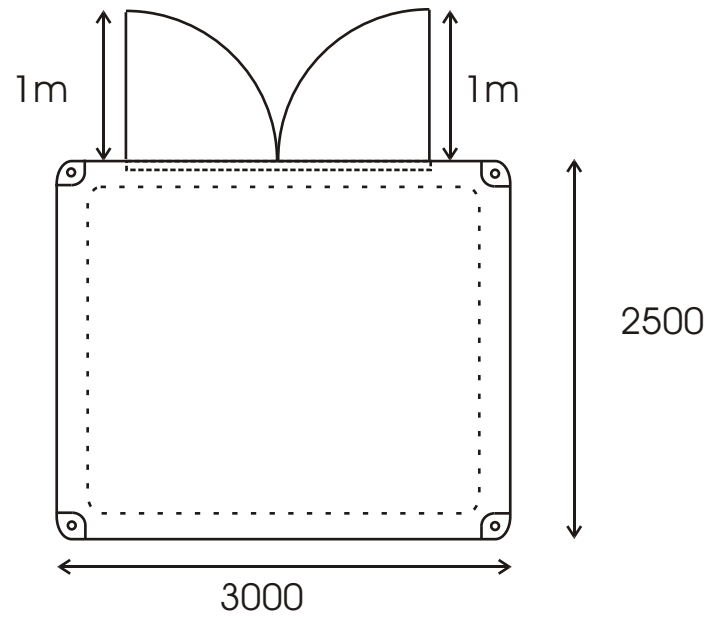
Flange Elevation		Hub Elevation		Max Blade Elevation		Notes
ft	m	ft	m	ft	m	
77.4	23.6	80.7	24.6	112.2	34.2	EU Countries only

Note: Dimensions approximate and provided for planning purposes only. Final construction elevations are subject to site specific conditions and factory tolerances on a per-tower basis.



Turbine and Equipment Cabin Elevations 1:250

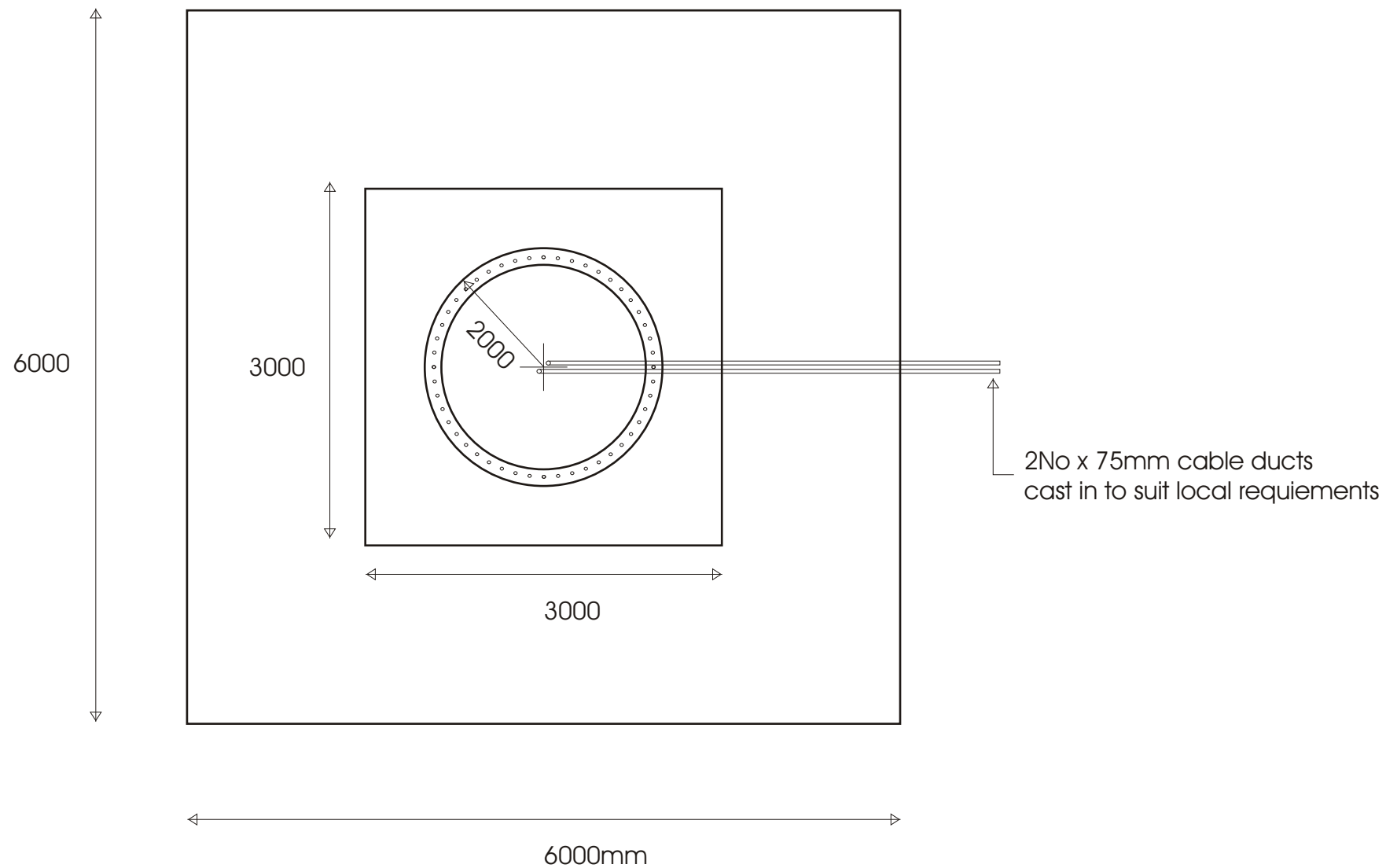
A2	CABIN MODIFICATIONS	JR	29/11/11	RA	29/11/11
A1	INITIAL ISSUE	ES	11/03/11	RA	11/03/11
REV	MODIFICATION	DRAWN	DATE	CHKD	DATE
 TGC renewables The Green Company		TGC Renewables TGC House, Duckmoor Road Industrial Estate, Duckmoor Road, Bristol, BS3 2BJ Tel: 0800 0787 243 www.tgcrenewables.com			
DRAWING TITLE Turbine Elevation SITE NAME: STANDARD TURBINE DEVELOPMENT		SITE LOCATION STANDARD TURBINE DEVELOPMENT			
TGC Renewable Copyright. This Drawing and the information it contains are the property of TGC Renewables Ltd. It is not to be copied reproduce or divulged to a third party without permission.					
DRAWN:		DATE:		CHECKED	
JR		30/11/11		RA	
Original Print size A3		Scale 1:250			
Sheet 1 of 3		Drawing Title TGC/Wind/001 - 24.6m			REV. A2



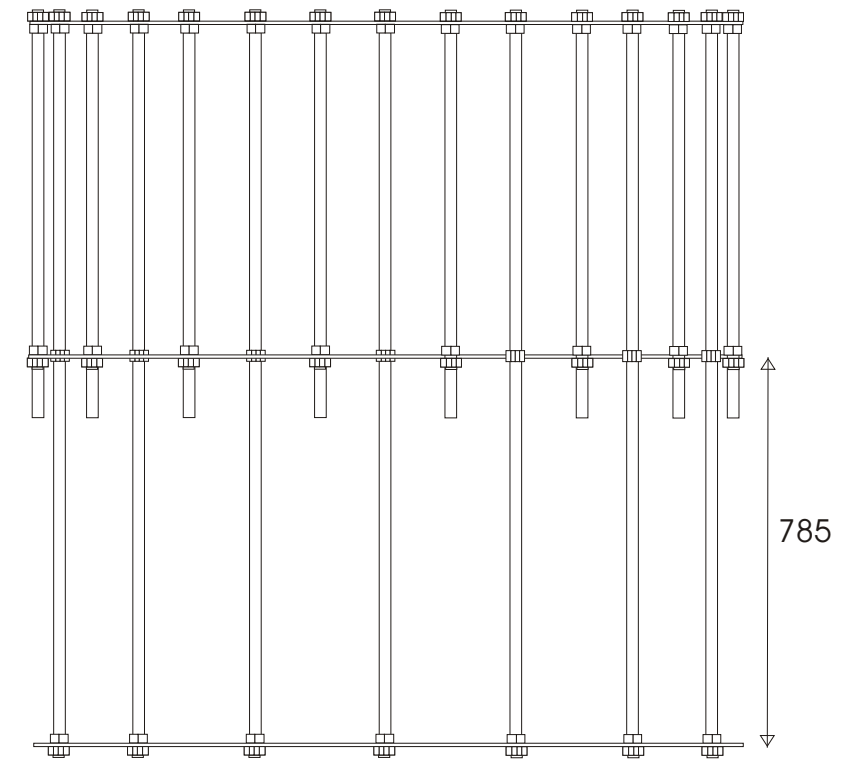
Notes:

- 1) All dimensions in mm
- 2) Kiosk manufactured from GRP: Colour to be agreed
- 3) Low level ventilation via grilles
- 4) High level under roof edges - do not obstruct ventilation

A1	INITIAL ISSUE	JR	29/11/11	RA	29/11/11
REV	MODIFICATION	DRAWN	DATE	CHKD	DATE
		TGC Renewables TGC House, Duckmoor Road Industrial Estate, Duckmoor Road, Bristol, BS3 2BJ Tel: 0800 0787 243 www.tgcrenewables.com			
DRAWING TITLE Equipment Cabin SITE NAME: Standard equipment cabin details		SITE LOCATION Standard Equipment Cabin Details			
TGC Renewable Copyright. This Drawing and the information it contains are the property of TGC Renewables Ltd. It is not to be copied reproduce or divulged to a third party without permission.					
DRAWN:		DATE:		CHECKED	
JR		30/11/11		RA	
Original Print size A3		Scale 1:50			
Sheet 2 of 3		Drawing Title TGC/Wind/004 - 24.6m			REV. A1



Foundation Plan and Elevation 1:50



HD Bolt arrangement Scale 1:15

A1	INITIAL ISSUE	JR	29/11/11	RA	29/11/11
REV	MODIFICATION	DRAWN	DATE	CHKD	DATE
		TGC Renewables TGC House, Duckmoor Road Industrial Estate, Duckmoor Road, Bristol, BS3 2BJ Tel: 0800 0787 243 www.tgcrenewables.com			
		DRAWING TITLE 24.6m Turbine Foundations SITE NAME: Standard Foundation Details		SITE LOCATION Standard Foundation details	
TGC Renewable Copyright. This Drawing and the information it contains are the property of TGC Renewables Ltd. It is not to be copied reproduce or divulged to a third party without permission.					
DRAWN:		DATE:		CHECKED	
JR		30/11/11		RA	
Original Print size A3		Scale Refer to drawing (all sizes in mm)			
Sheet 3 of 3		Drawing Title TGC/Wind/005 - 24.6m			REV. A1