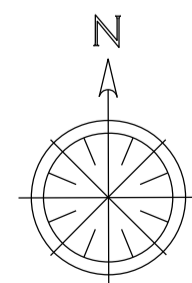


Do not scale this drawing
 DC21 to be notified of discrepancies in figured dimensions
 Contractors must check all dimensions from site
 This drawing is copyright and is for use on this site only
 This drawing is to be used solely for information as entitled
 For other information refer to the latest revision of any cross referenced drawing



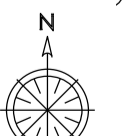
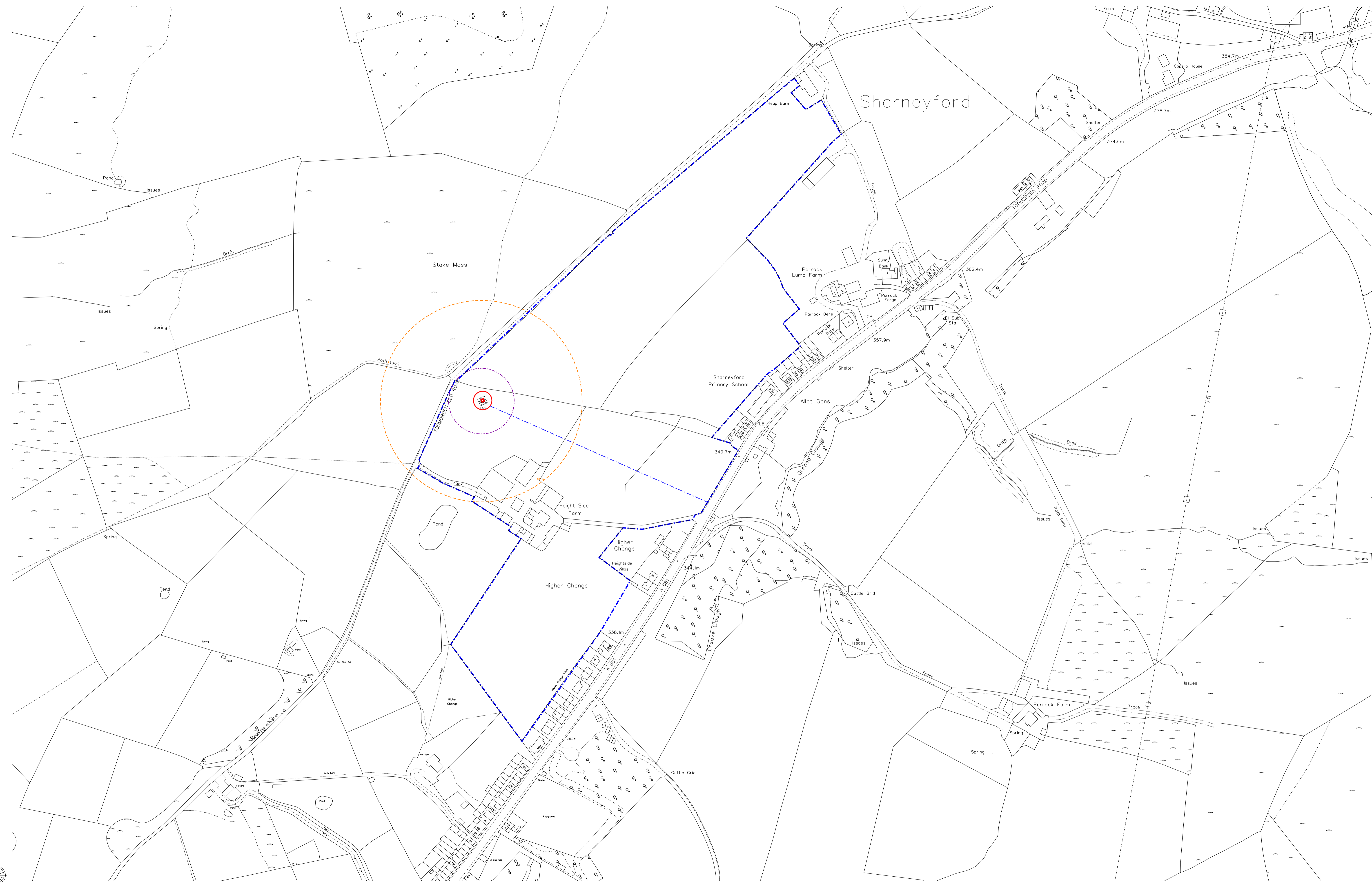
AERIAL PHOTO LOCATING HEIGHT SIDE FARM.

| REV | DATE | DESCRIPTION | BY |
|-----------|------------|--------------------|----|
| A | 19.06.2012 | WINDMILL RELOCATED | DL |
| REVISIONS | | | |

| | | | |
|---|---------------------------|-----------------------|---------------------|
| PROJECT TITLE WIND TURBINE INSTALLATION AT HEIGHT SIDE, BACUP | | | |
| DRAWING TITLE SITE LOCATION | | | |
| DRAWING NUMBER 01 | REVISION A | DATE FEB 12 | SCALE NTS |
| SHEET A3 | STATUS PLANNING | | |
| <small>DC21 Ltd, Dene House, North Road, Kirkburton, W. Yorks, HD8 0RW Registered Number: 6855349 www.dc21group.com</small> | | | |



JOB NO.
11150



Do not scale this drawing
 All dimensions are to be confirmed on site
 Contractors must check all dimensions from this drawing is to be used for information only
 For other information refer to the relevant technical drawing

LOCATION PLAN

- NOTES**
- 1. LAND OWNERSHIP BOUNDARY
 - 2. PROPOSED WORKS - WIND TURBINES
 - 3. PROPOSED CABLE RUN TO GRID CONNECTION
 - 4. NOISE - 105m
 - 5. MAXIMUM HEIGHT
 - 6. PROPOSED CABLE RUN TO FARM
 - 7. TURBINE FOUNDATION AND BASE
 - 8. HIDDEN FOUNDATION
- TOTAL SITE AREA = 0.02 HECTARE



| REV. | DATE | DESCRIPTION | BY |
|------|------------|--------------------|----|
| A | 19.06.2022 | WINDMILL RELOCATED | DK |

| | | | |
|---|---------------------------|-----------------------|------------------------|
| PROJECT TITLE WIND TURBINE INSTALLATION AT HEIGHT SIDE, BACUP | | | |
| DRAWING TITLE SITE PLAN | | | |
| DRAWING NUMBER 02 | REVISION A | DATE FEB 12 | SCALE 1:1250 |
| SHEET A0 | STATUS PLANNING | | |





SITE ACCESS

To aid the planning permission for the installation of one Endurance E-3120 25m nacelle height, 9.6m blade radius (50KW) wind turbine located at:

Heightside Farm,

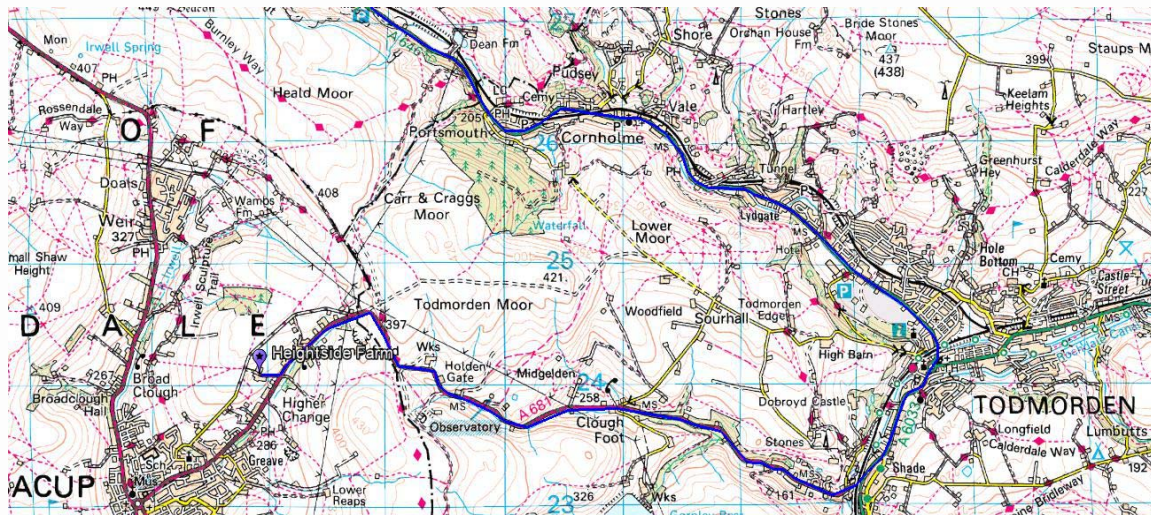
Bacup,

OL13 9UG



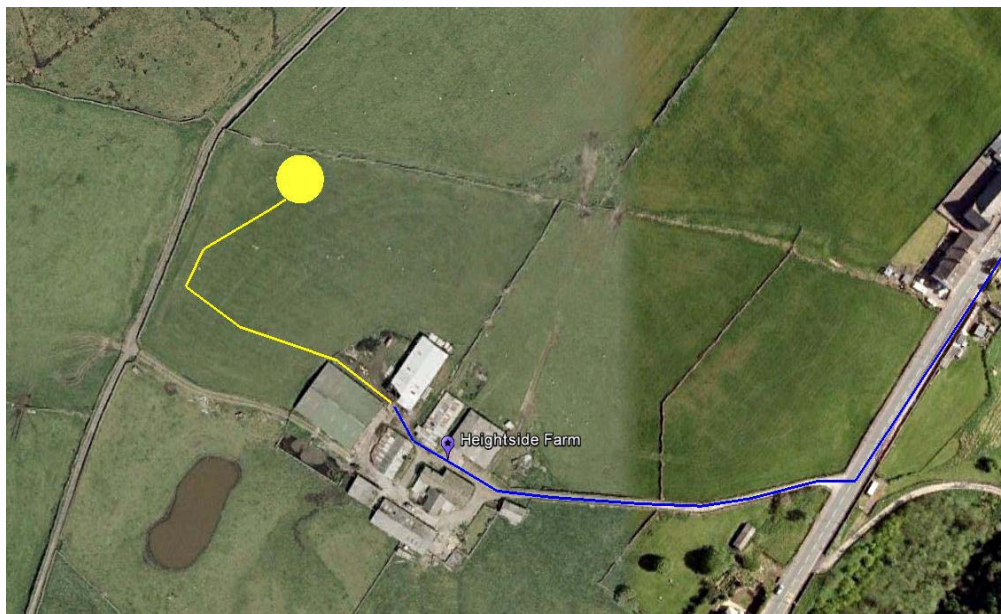
Transport of equipment to site

All of the wind turbine components will be transported to site using standard 40ft lorry haulage. In addition a normal road going crane and other smaller equipment will travel to the site. The route used shall be the A646 from the M65 to Todmorden, then the A6033/A681 from Todmorden towards Bacup, then turning into the track up to Heightside Farm. This route and the track from the A681 to the farm has been assessed by the haulage company and crane operator as suitable for the construction traffic.



Onsite routing

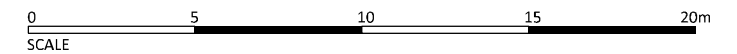
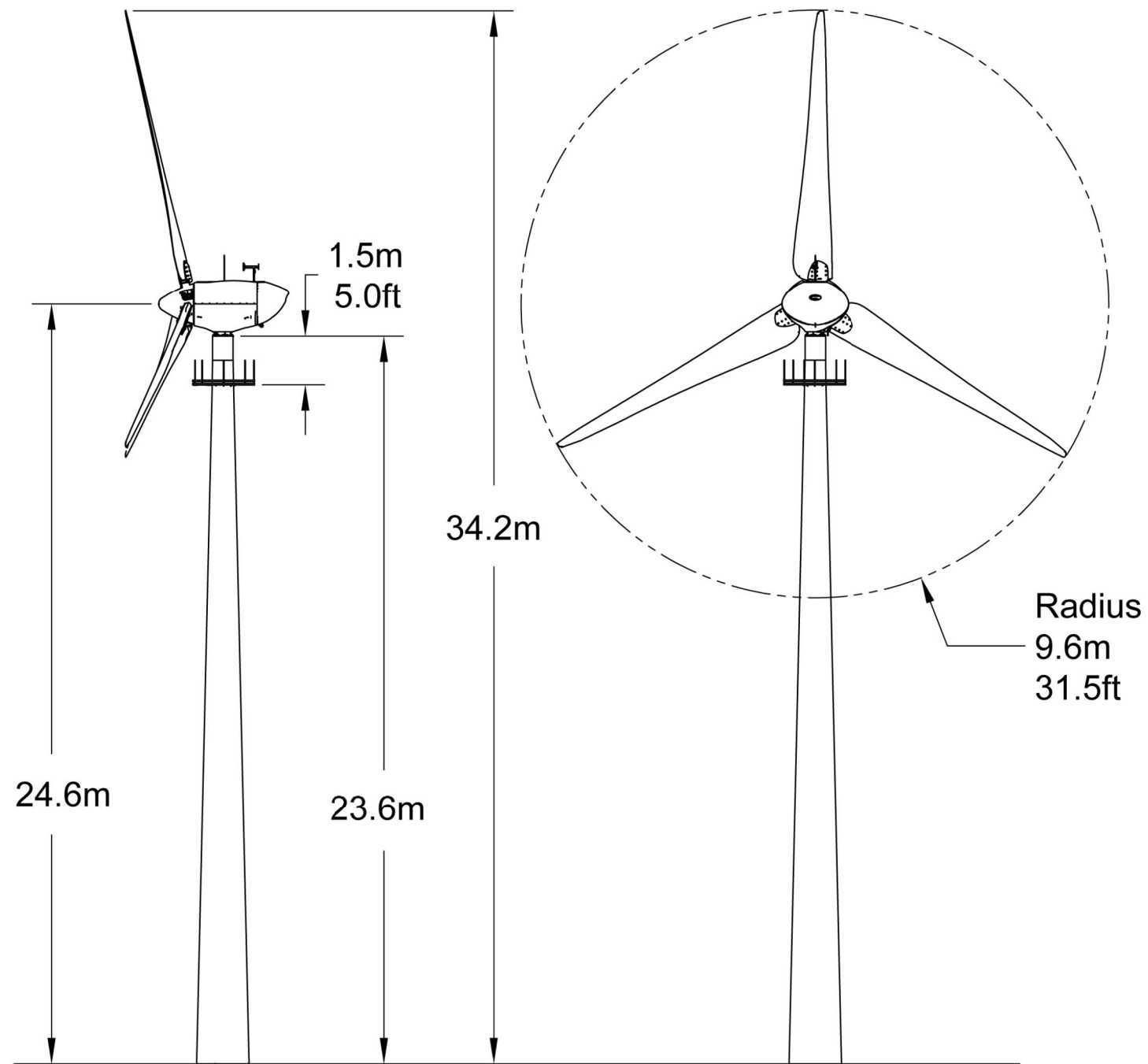
The farm yard at Heightside, which has existing hard standing shall be used for temporary storage of the wind turbine components. From the farm yard to the turbine location an aluminium temporary track way will be installed to allow movement of heavy equipment and the main turbine components.





The pictures below are an example of the aluminium track way used to access the site, and a picture 6 months after construction has been completed at the same location. There is no noticeable long term impact.





Do not scale this drawing
DC21 to be notified of discrepancies in figured dimensions
Contractors must check all dimensions from site
This drawing is copyright and is for use on this site only
This drawing is to be used solely for information as entitled
For other information refer to the latest revision of any cross referenced drawing

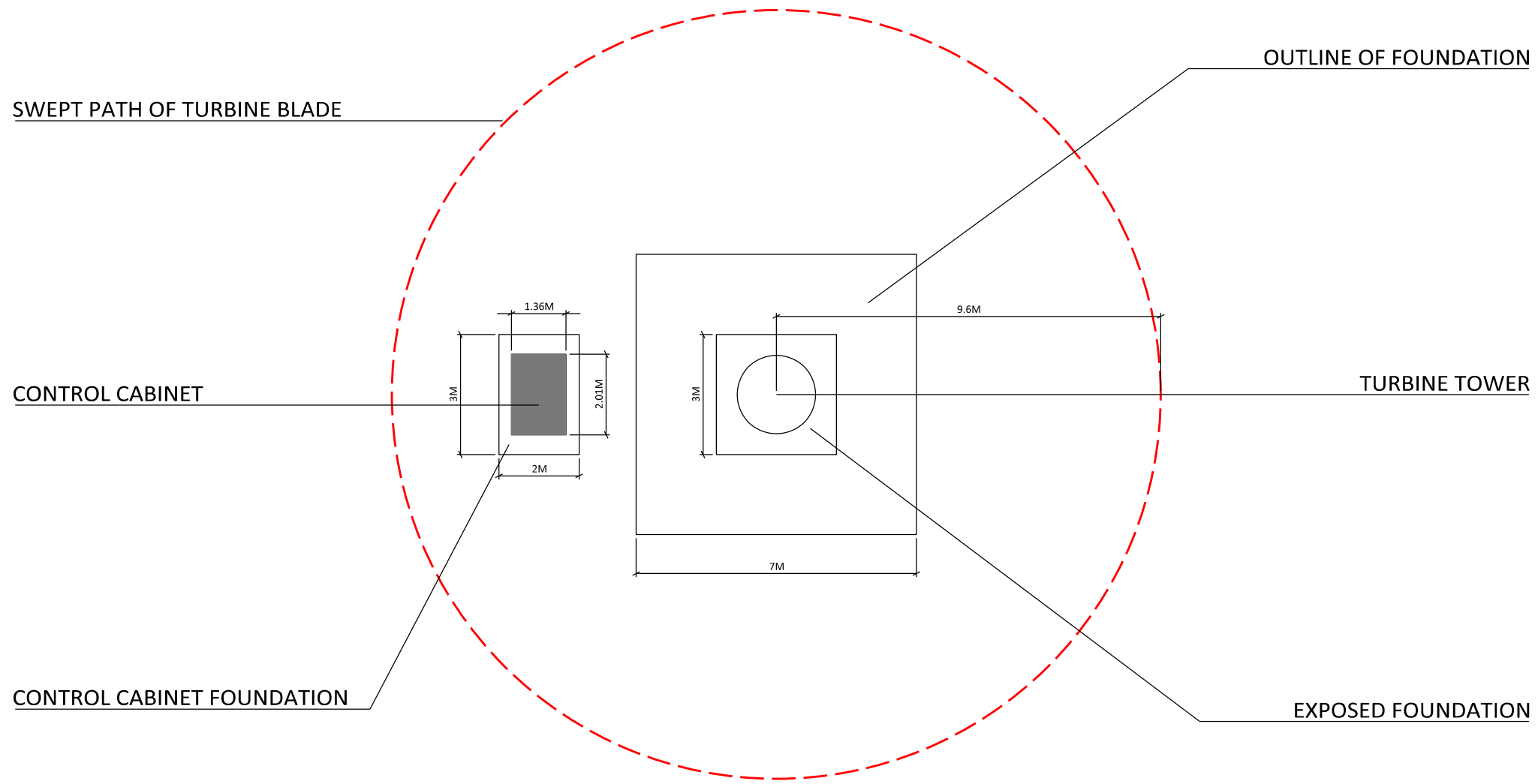


| REV | DATE | DESCRIPTION | BY |
|-----------|------|-------------|----|
| REVISIONS | | | |

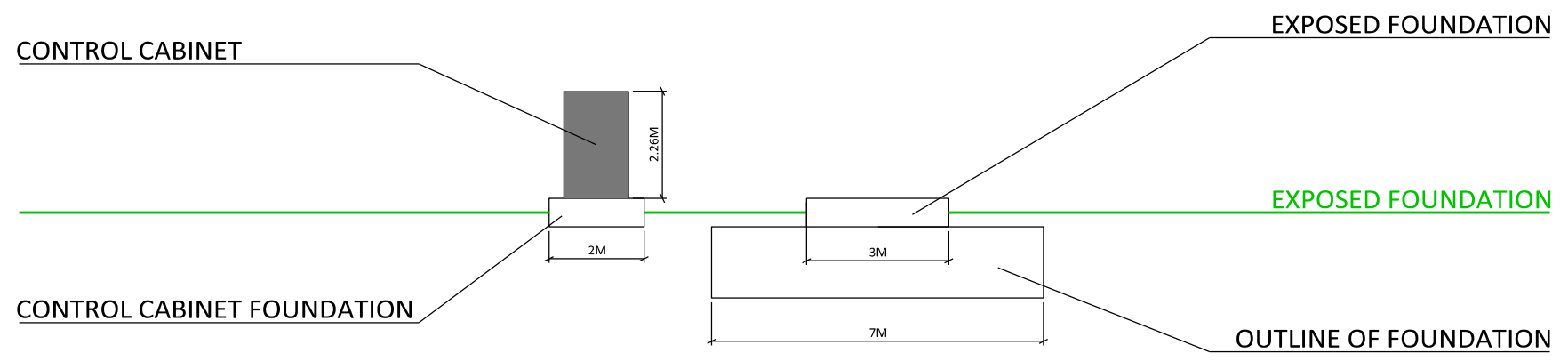
| | | | |
|---|---------------------------|-----------------------|---------------------|
| PROJECT TITLE WIND TURBINE INSTALLATION AT HEIGHT SIDE, BACUP | | | |
| DRAWING TITLE ELEVATION OF A 50kw MONOPOLE WIND TURBINE | | | |
| DRAWING NUMBER 03 | REVISION | DATE FEB 12 | SCALE NTS |
| SHEET A3 | STATUS PLANNING | | |
| <small>DC21 Ltd, Dene House, North Road, Kirkburton, W. Yorks, HD8 0RW Registered Number: 6855349 www.dc21group.com</small> | | | |



JOB NO.
11150



PLAN VIEW OF TURBINE FOUNDATION AND SEPARATE CONTROL CABINET



ELEVATION OF TURBINE FOUNDATION AND SEPARATE CONTROL CABINET



Do not scale this drawing
 action smith to be notified of discrepancies in figured dimensions
 Contractors must check all dimensions from site
 This drawing is copyright and is for use on this site only
 This drawing is to be used solely for information as entitled
 For other information refer to the latest revision of any cross referenced drawing

LOCATION PLAN

NOTES

| REV | DATE | DESCRIPTION | BY |
|-----|------|-------------|----|
| | | | |

| | | | |
|---|---|--------|-------|
| PROJECT TITLE | WIND TURBINE INSTALLATION AT HEIGHT SIDE, BACUP | | |
| DRAWING TITLE | WIND TURBINE FOUNDATION DETAIL | | |
| DRAWING NUMBER | REVISION | DATE | SCALE |
| 04 | | FEB 12 | 1:100 |
| SHEET | STATUS | | |
| A2 | PLANNING | | |
| <small>DC21 Ltd, Bone House, North Road, Ebbw Vale, W. Yorks, HDB 8BW Registered Number: 055510 www.dc21group.com</small> | | | |

DC21
 Holistic Energy Solutions

JOB NO. **11150**