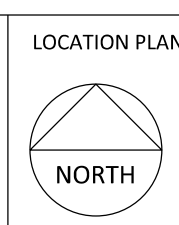


Do not use this drawing for any other purpose than that for which it was prepared. The drawing is copyright and for use on the site only. This drawing is to be used only for information as detailed on other information with the local authority of any other relevant parties.



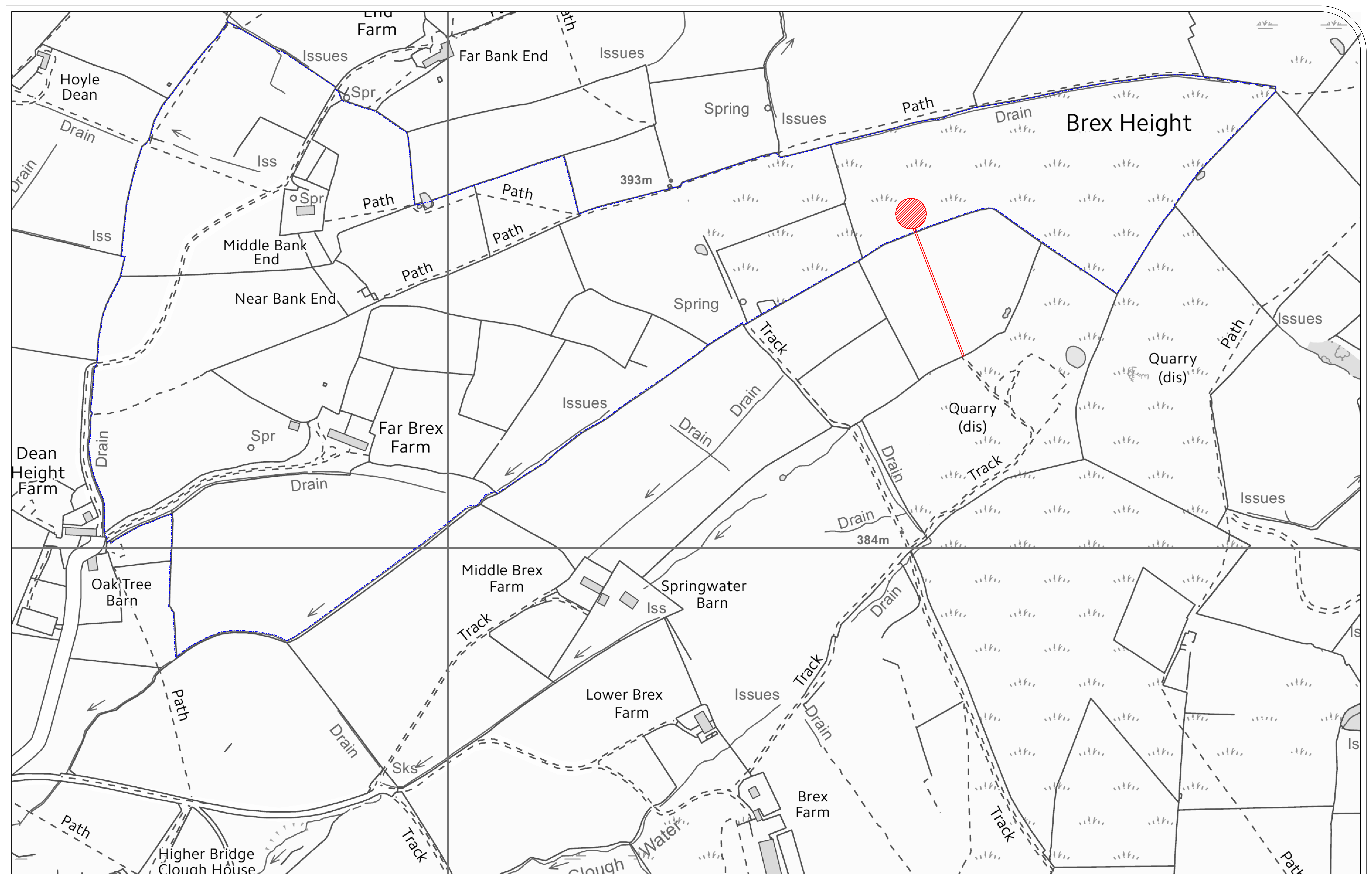
NOTES
 ● - WIND TURBINE POSITION

PROJECT TITLE LAND AT FAR BREX FARM			
DRAWING TITLE SITE LOCATION			
DRAWING NUMBER 01	REVISION -	DATE MAR 14	SCALE 1:5000
SHEET A0	BY CA	STATUS PLANNING	

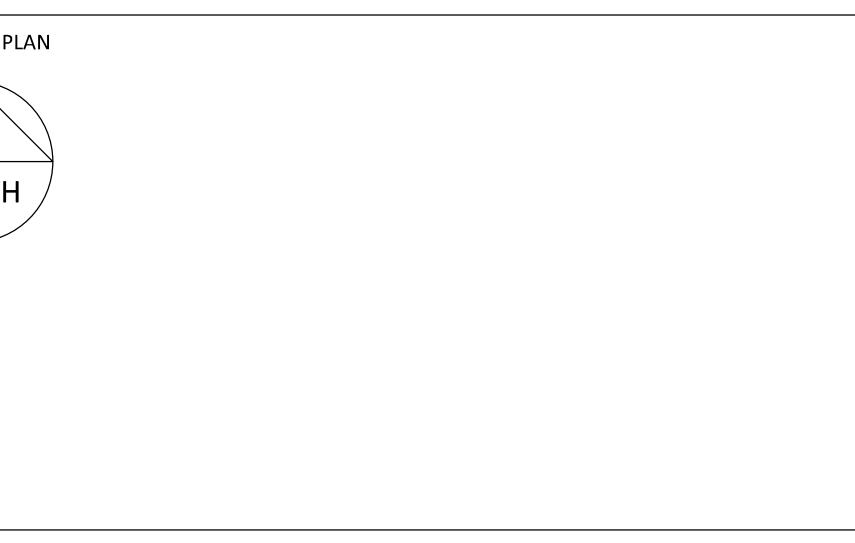


DC21/146

REV	DATE	DESCRIPTION	BY



Do not scale this drawing.
 DC21 will be notified of discrepancies in signed dimensions.
 Contractors must check all dimensions from this drawing.
 This drawing is copyright and for use on this site only.
 This drawing is to be used solely for information as certified for other information refer to the latest revision of any other relevant drawings.

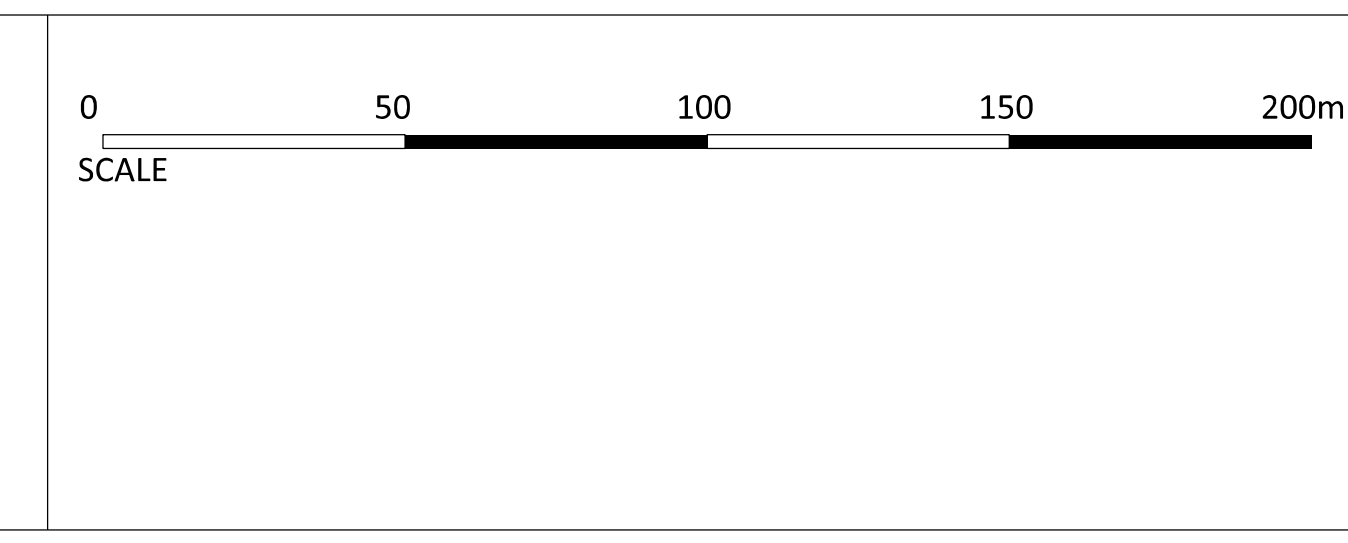


NOTES

KEY

- LAND OWNERSHIP BOUNDARY
- PROPOSED WORKS - WIND TURBINES

TOTAL SITE AREA = 0.1 HECTARE
 TURBINE CO ORDINATES = 385503, 424363

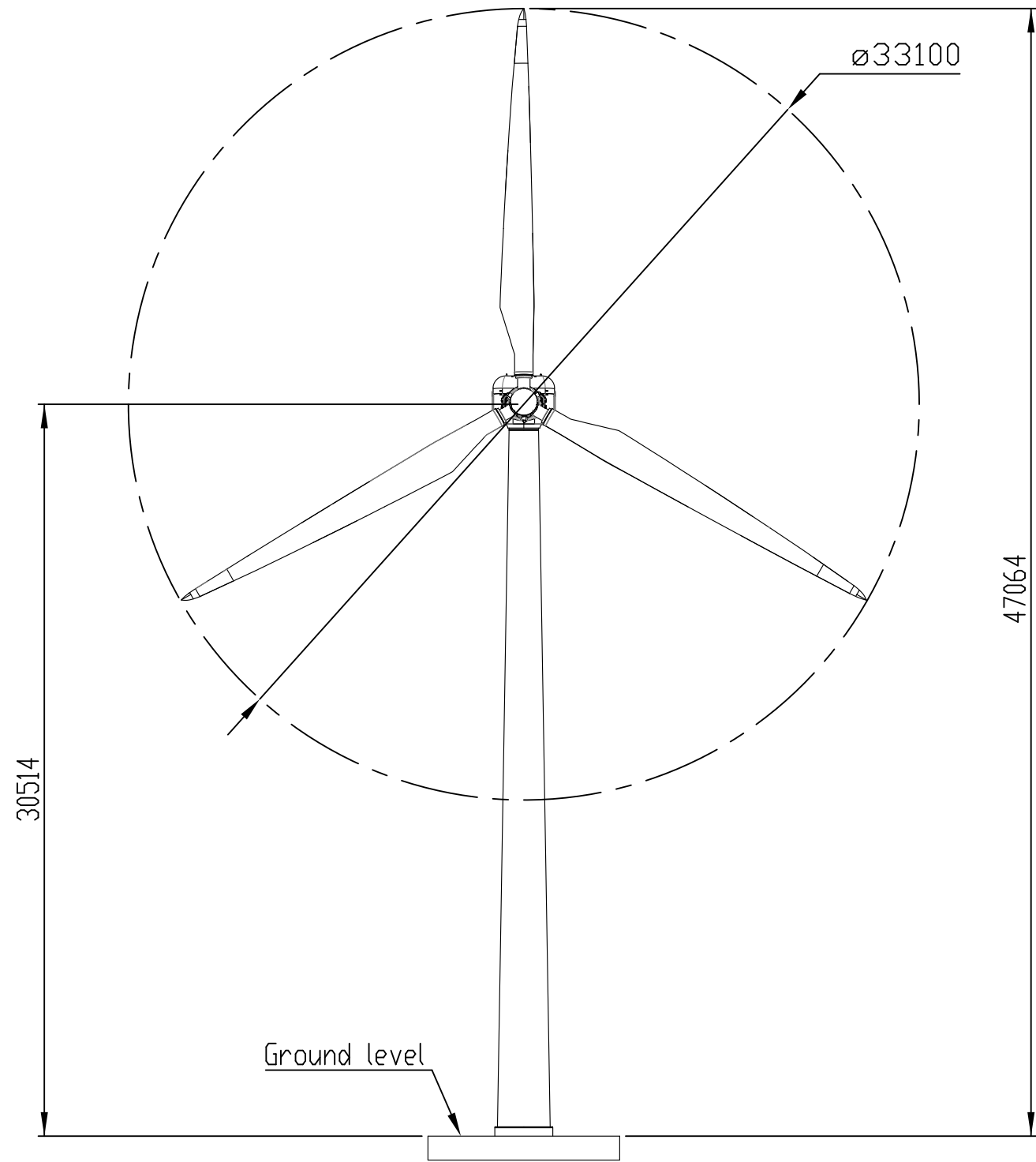
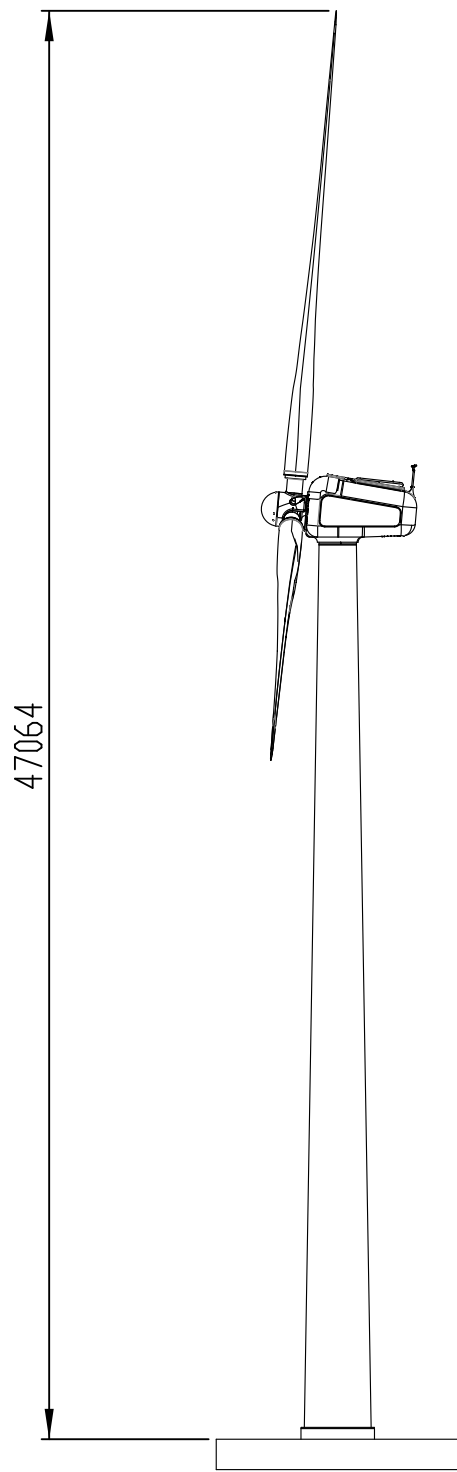


REV	DATE	DESCRIPTION	BY

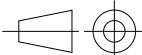
PROJECT TITLE LAND AT FAR BREX FARM			
DRAWING TITLE SITE PLAN			
DRAWING NUMBER 02	REVISION -	DATE MAR 14	SCALE 1:1250
SHEET A0	BY CA	STATUS PLANNING	

DC21
Wind Turbine Specialists

DC/14/146



Filnavn: NWA-30m

norwin a/s wind turbine technologies Kildeager 7 DK-4621 Godstrup Phone: +45 4638 5529 Fax: +45 4638 3144 www.norwin.dk			UNLESS OTHERWISE SPECIFIED DIMENSIONS ARE IN MILLIMETERS.	ITEM:	
		NWA 30m NWA			
		WEIGHT: . kg	Projection  Sizes in mm.	DWG NO:	
		SCALE:		NWA-Hh30m-D33-01	
		1:250	REVISION:		
		A3	00		
HK	23-11-2011	00	SHEET 1 OF 1		
Draw by	Approved by	Rev.	MATERIAL:		

This drawing is our property - copying and/or handling over to third part or use for any other purpose than intended is not allowed.
 ISO 2768mK, ISO 13715 out -0.02/-0.5 ; in +0.5/+0.02