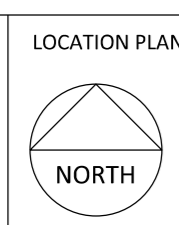


Do not scale this drawing  
 Use the official Ordnance Survey map  
 Coordinates must check all dimensions from this  
 The drawing is copyright and for use on the site only.  
 This drawing is to be used only for information as detailed  
 for other information refer to the latest version of any other relevant drawings.



NOTES

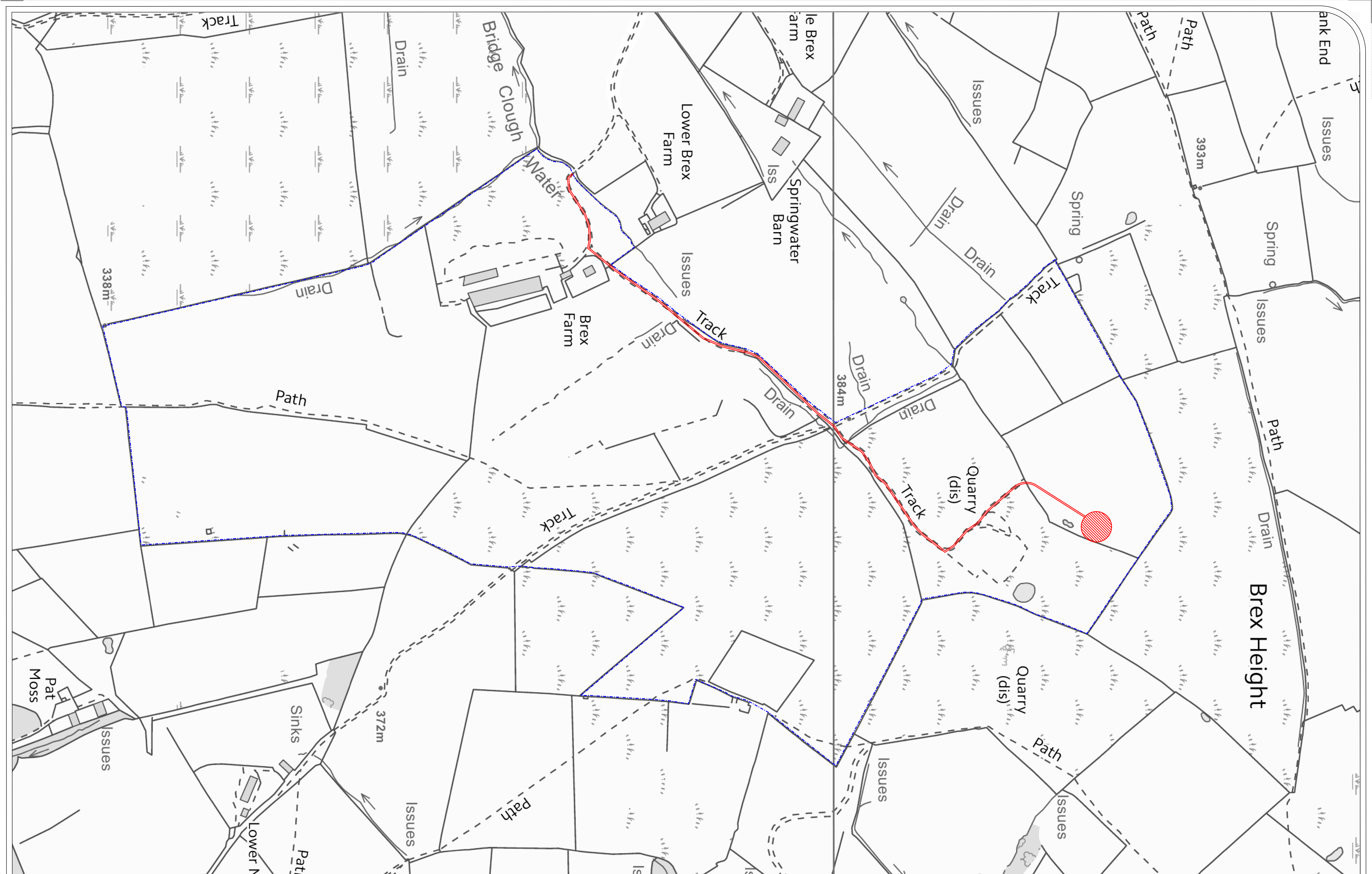
- - WIND TURBINE POSITION

PROJECT TITLE <b>BREX FARM</b>			
DRAWING TITLE <b>SITE LOCATION</b>			
DRAWING NUMBER 01	REVISION -	DATE MAR 14	SCALE 1:5000
SHEET A0	BY CA	STATUS PLANNING	

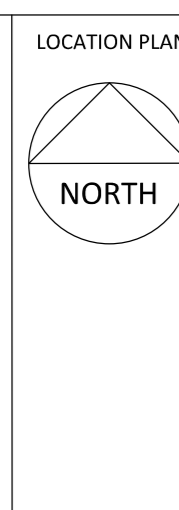


DCJ/14/17

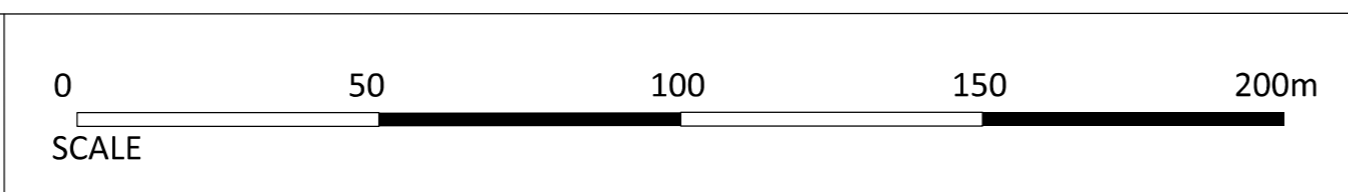
REV	DATE	DESCRIPTION	BY



Do not scale this drawing  
 DC21 are to be verified of discrepancies in signed dimensions  
 Contractors must check all dimensions from site  
 This drawing is copyright and for use on the site only  
 For other information refer to the latest revision of any other relevant drawing



**NOTES**  
 KEY  
 LAND OWNERSHIP BOUNDARY  
 PROPOSED WORKS - WIND TURBINES  
 TOTAL SITE AREA = 0.2 HECTARE  
 TURBINE CO ORDINATES = 385609, 424285

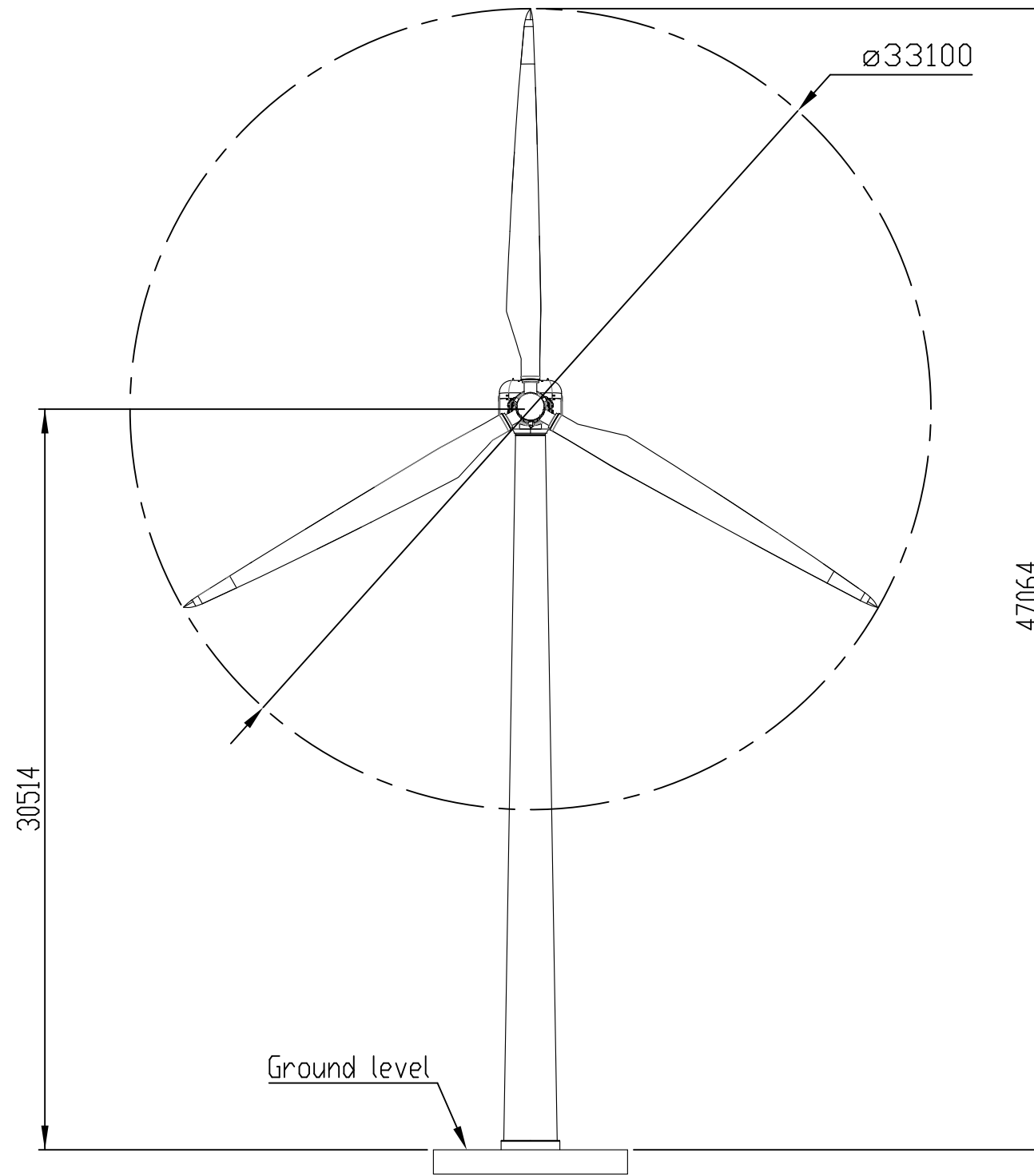
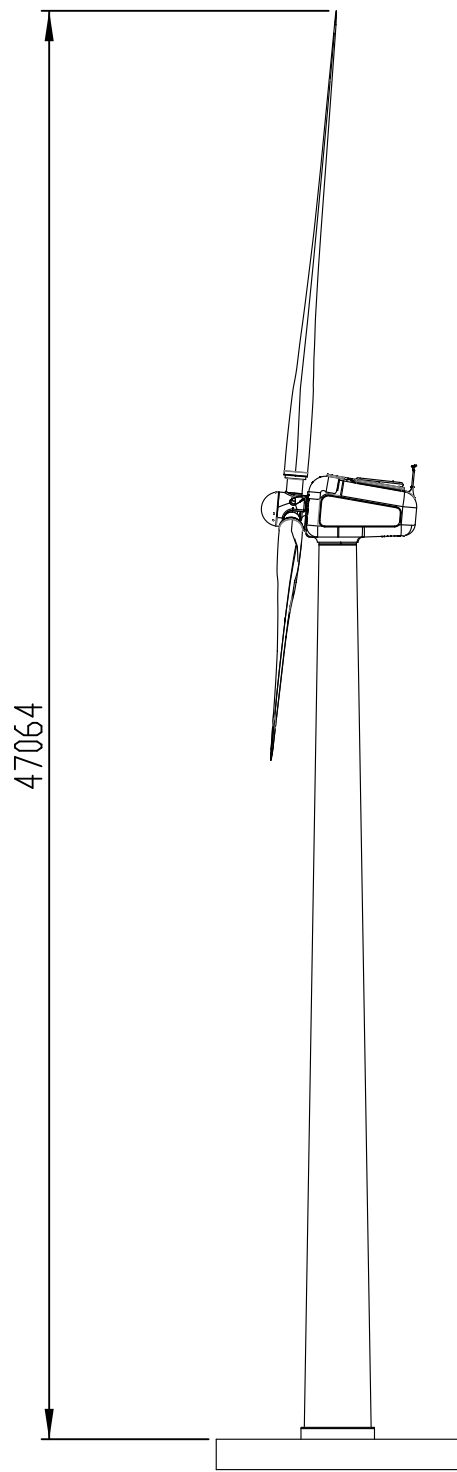


REV	DATE	DESCRIPTION	BY

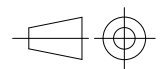
PROJECT TITLE <b>BREX FARM</b>			
DRAWING TITLE <b>SITE PLAN</b>			
DRAWING NUMBER <b>02</b>	REVISION	DATE <b>MAR 14</b>	SCALE <b>1:1250</b>
SHEET <b>A0</b>	BY <b>CA</b>	STATUS <b>PLANNING</b>	



DC/14/147



Filnavn: NWA-30m

<b>norwin a/s</b> wind turbine technologies Kildeager 7 DK-4621 Godstrup Phone: +45 4638 5529 Fax: +45 4638 3144 www.norwin.dk			UNLESS OTHERWISE SPECIFIED DIMENSIONS ARE IN MILLIMETERS.	ITEM:	
		NWA 30m NWA			
		WEIGHT: . kg	Projection  Sizes in mm.	DWG NO:	
		SCALE:		NWA-Hh30m-D33-01	
		1:250	REVISION:		
		A3	00		
HK	23-11-2011	00	SHEET 1 OF 1		
Draw by	Approved by	Rev.	MATERIAL:		

This drawing is our property - copying and/or handling over to third part or use for any other purpose than intended is not allowed.  
 ISO 2768mK, ISO 13715 out -0.02/-0.5 ; in +0.5/+0.02